

Operating, Maintenance & Parts Manual

ETA680-1

ET-A Series

1/4, 1/2, 1, 1 1/2, 2,
3 & 5 Ton

Model Numbers

ET-05-A ET-30-A

ET-10-A ET-40-A

ET-20-A ET-60-A

ET-100-A

Follow all instructions and warnings for inspecting, maintaining and operating this trolley.

The use of any trolley presents some risk of personal injury or property damage. That risk is greatly increased if proper instructions and warnings are not followed. Before using this trolley, each operator should become thoroughly familiar with all warnings, instructions, and recommendations in this manual. Retain this manual for future reference and use.

Forward this manual to the trolley operator.

Failure to operate the equipment as directed in the manual may cause injury. Should you have any questions or have problems with this product, please call Coffing Hoists at **(800) 477-5003**.

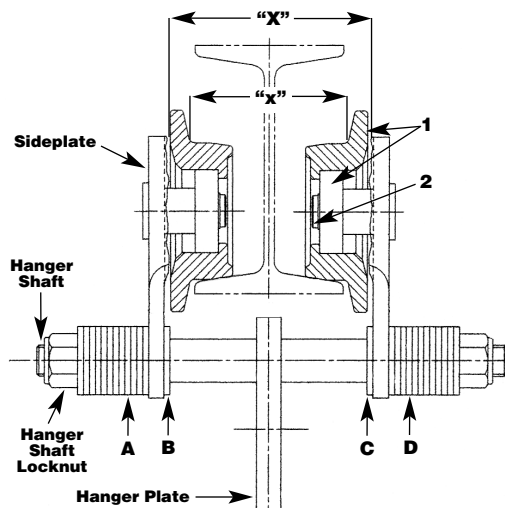


Figure 1 - ET-A Trolley

GENERAL INFORMATION

COFFING ET-A Trolleys are designed for use with hook mounted hoists with rated loads up to 5 Tons. Adjustment to a wide range of beam sizes is accomplished with the placement of spacer washers (See INSTALLATION).

The hoisting equipment described in these instructions is intended for industrial use only, and **should not be used to lift, support or otherwise transport people.**

LOAD RATINGS

Before installing, make certain that the capacity of the hoist does not exceed the rated load of the trolley, and that the supporting structure is capable of supporting the weight of the load, hoist and trolley with a generous factor for safety.

INSTALLATION

INSTALLATION & ADJUSTMENT

- Measure the I-beam flange width. Refer to Chart 3 - Spacer Washer Adjustment Chart for initial trolley adjustment. Check "X" dimension (See Figure 1) against Chart 3 and compare wheel flange spacing to beam flange width measurement before actually installing the trolley on the beam.
- Place trolley on beam and tighten the hanger shaft locknuts (See Chart 1 for Locknut Torque). The hanger shaft must extend completely through each locknut.
- Observe the trolley operation. The trolley should move freely with the wheel flanges as close as possible to the edge of the I-Beam. If it appears that the trolley sideplates could be moved closer together and still maintain freedom of movement, move one additional washer from location C to location D (See Figure 1).
- If additional adjustment is required, be sure to keep the hanger plate as near to the center of the trolley as possible. There should be no more than one washer difference between locations B and C (See Figure 1).

NOTE: ELCET units use ET20A trolleys for 1 ton and under. Washer count in Locations B and C may vary.

CURVED BEAM OPERATION

Coffing ET-A trolleys can operate on curved beams. Slightly increased wheel spacing may be required on curved beams. See Chart 1 for minimum recommended radius curves.

Coffing Hoists • Country Club Road • P.O. Box 779 •
Wadesboro, North Carolina 28170 USA
Tel: 800.477.5003 • **Fax:** 800.374.6853 • 704.694.6829
www.coffinghoists.com

COFFING® HOISTS

Chart 1 - Minimum Radius & Locknut Torque

MODEL NUMBER	MINIMUM RADIUS	LOCKNUT TORQUE
ET-05-A	36"	125 ft-lbs
ET-10-A	36"	125 ft-lbs
ET-20-A	48"	125 ft-lbs
ET-30-A	60"	125 ft-lbs
ET-40-A	60"	125 ft-lbs
ET-60-A	60"	150 ft-lbs
ET-100-A	60"	150 ft-lbs

MAINTENANCE

PERIODIC INSPECTION

This trolley should be inspected periodically for wear and its continued ability to support the load. The frequency of inspection will depend on the severity of trolley use. It is recommended that the user begin with a monthly inspection and extend periods to quarterly, semi-annually or annually based on monthly experience.

NOTE: Due to manufacturing tolerances and possible flange wear, the actual beam width may vary from that shown. The beam flange width should be checked before installation, and trolley spacing should be adjusted accordingly.

Chart 3 - Spacer Washer Adjustment (For Quantity & Location Refer to Figure 1)

W-Beam Size & Weight	Flange Width	MODEL 1/4 TON								MODEL 1/2 TON								MODEL 1 TON							
		"X" Dim. (in)	"X" Dim. (in)	# of washers at location				"X" Dim. (in)	"X" Dim. (in)	# of washers at location				"X" Dim. (in)	"X" Dim. (in)	# of washers at location									
				A	B	C	D			A	B	C	D			A	B	C	D						
4" x 13#	4.060	5.319	4.275	17	6	6	17	5.319	4.275	17	6	6	17	-	-	-	-	-	-						
5" x 16#	5.000	6.337	5.235	13	10	10	13	6.337	5.235	13	10	10	13	6.258	5.235	14	9	10	15						
5" x 19#	5.030	6.337	5.235	13	10	10	13	6.337	5.235	13	10	10	13	6.258	5.235	14	9	10	14						
6" x 9#	3.940	5.257	4.155	18	5	6	17	5.257	4.155	18	5	6	17	5.178	4.155	18	5	5	18						
6" x 12#	4.000	5.257	4.155	18	5	6	17	5.257	4.155	18	5	6	17	5.178	4.155	18	5	5	18						
6" x 15#	5.990	7.297	6.195	9	14	14	9	7.297	6.195	9	14	14	9	7.218	6.195	10	13	14	10						
6" x 16#	4.030	6.377	4.275	17	6	6	17	6.377	4.275	17	6	6	17	5.298	4.275	18	5	6	18						
6" x 20#	6.020	7.297	6.195	9	14	14	9	7.297	6.195	9	14	14	9	7.218	6.195	10	13	14	10						
6" x 25#	6.080	7.417	6.315	9	14	15	8	7.417	6.315	9	14	15	8	7.338	6.315	9	14	14	10						
8" x 10#	3.940	5.527	4.155	18	5	6	17	5.527	4.155	18	5	6	17	5.178	4.155	18	5	5	18						
8" x 13#	4.000	5.257	4.155	18	5	6	17	5.257	4.155	18	5	6	17	5.178	4.155	18	5	5	18						
8" x 15#	4.015	5.257	4.155	18	5	6	17	5.257	4.155	18	5	6	17	5.178	4.155	18	5	5	18						
8" x 18#	5.250	6.577	5.475	12	11	11	12	6.577	5.475	12	11	11	12	6.498	5.475	13	10	11	13						
8" x 21#	5.270	6.577	5.475	12	11	11	12	6.577	5.475	12	11	11	12	6.498	5.475	13	10	11	13						
8" x 24#	6.500	7.777	6.675	7	16	16	7	7.777	6.675	7	16	16	7	7.698	6.675	8	15	16	8						
8" x 28#	6.535	7.777	6.675	7	16	16	7	7.777	6.675	7	16	16	7	7.818	6.795	7	16	16	8						
8" x 31#	7.995	9.337	8.235	1	23	23	0	9.337	8.235	1	23	23	0	9.258	8.235	1	22	22	2						
8" x 35#	8.020	9.337	8.235	1	23	23	0	9.337	8.235	1	23	23	0	9.258	8.235	1	22	22	2						
10" x 12#	3.960	5.251	4.155	18	5	6	17	5.251	4.155	18	5	6	17	5.178	4.155	18	5	5	18						
10" x 15#	4.000	5.257	4.155	18	5	6	17	5.257	4.155	18	5	6	17	5.178	4.155	18	5	5	18						
10" x 17#	4.010	5.257	4.155	18	5	6	17	5.257	4.155	18	5	6	17	5.178	4.155	18	5	5	18						
10" x 19#	4.020	5.257	4.155	18	5	6	17	5.257	4.155	18	5	6	17	5.178	4.155	18	5	5	18						
10" x 22#	5.750	7.057	5.955	10	13	13	10	7.057	5.955	10	13	13	10	6.978	5.955	11	12	13	11						
10" x 26#	5.770	7.057	5.955	10	13	13	10	7.057	5.955	10	13	13	10	6.978	5.955	11	12	13	11						
10" x 30#	5.810	7.177	6.075	10	13	14	9	7.177	6.075	10	13	14	9	7.098	6.075	10	13	13	11						
10" x 33#	7.960	9.217	8.115	1	22	22	1	9.217	8.115	1	22	22	1	9.258	8.235	1	22	22	2						
10" x 39#	7.985	9.262	8.160	1	22	23	0	9.262	8.160	1	22	23	0	9.258	8.235	1	22	22	2						
10" x 45#	8.020	9.262	8.160	1	22	23	0	9.262	8.160	1	22	23	0	9.258	8.235	1	22	22	2						
12" x 14#	3.970	5.257	4.155	18	5	6	17	5.257	4.155	18	5	6	17	5.178	4.155	18	5	5	18						
12" x 16#	3.990	5.257	4.155	18	5	6	17	5.257	4.155	18	5	6	17	5.178	4.155	18	5	5	18						
12" x 19#	4.005	6.257	4.155	18	5	6	17	6.257	4.155	18	5	6	17	5.178	4.155	18	5	5	18						
12" x 22#	4.030	6.377	4.275	17	6	6	17	6.377	4.275	17	6	6	17	5.178	4.155	18	5	5	18						
12" x 26#	6.490	7.777	6.675	7	16	16	7	7.777	6.675	7	16	16	7	7.698	6.675	8	15	16	8						
12" x 30#	6.520	7.777	6.675	7	16	16	7	7.777	6.675	7	16	16	7	7.818	6.795	7	16	16	8						
12" x 35#	6.560	7.897	6.795	7	16	17	6	7.897	6.795	7	16	17	6	7.818	6.795	7	16	16	8						
12" x 40#	8.005	9.337	8.235	1	22	23	0	9.337	8.235	1	22	23	0	9.258	8.235	1	22	22	2						
12" x 45#	8.045	9.337	8.235	1	22	23	0	9.337	8.235	1	22	23	0	9.258	8.235	1	22	22	2						
14" x 22#	5.000	6.337	5.235	13	10	10	13	6.337	5.235	13	10	10	13	6.258	5.235	18	5	6	18						
14" x 26#	5.025	6.337	5.235	13	10	10	13	6.337	5.235	13	10	10	13	6.258	5.235	18	5	6	18						
14" x 30#	6.730	8.017	6.915	6	17	17	6	8.017	6.915	6	17	17	6	7.938	6.915	7	16	17	7						
14" x 34#	6.745	8.017	6.915	6	17	17	6	8.017	6.915	6	17	17	6	8.058	7.035	6	17	17	7						
14" x 38#	6.770	8.137	7.035	6	17	18	5	8.137	7.035	6	17	18	5	8.058	7.035	6	17	17	7						

INSPECTION ITEMS

The trolley should be visually inspected for the following conditions:

- Loose locknuts
- Sideplate damage or bending
- Hanger plate wear, cracks or distortion
- Wheel wear, cracks, or worn bearings

Any worn parts should be replaced immediately. See Chart 2 for repair parts.

Chart 2 - Parts List (Refer to Figure 1)

INDEX NO. PART NAME	1	2
	WHEEL & BALL BEARING ASSEMBLY	RETAINING RING
ET-05-A	47027W	1500-59
ET-10-A	47027W	5100-59
ET-20-A	47030W	5100-66
ET-30-A	47033	5100-98
ET-40-A	47033	5100-98
ET-60-A	47036W	5100-118
ET-100-A	47039W	5100-137

W-Beam Size & Weight	Flange Width	"X" Dim. (in)	MODEL 2 TON "x" Dim. (in)				MODEL 3 TON "x" Dim. (in)				MODEL 5 TON "x" Dim. (in)								
			# of washers at location	A	B	C	D	# of washers at location	A	B	C	D	# of washers at location	A	B	C	D		
16" x 26#	5.500	6.846	5.665	11	10	10	12	6.980	5.793	8	4	5	7	7.556	5.743	8	2	3	7
16" x 31#	5.525	6.846	5.665	11	10	10	12	6.980	5.793	8	4	5	7	7.556	5.743	8	2	3	7
16" x 36#	6.985	8.406	7.225	5	16	17	5	8.420	7.230	4	8	9	3	8.996	7.183	4	6	7	3
16" x 40#	6.995	8.406	7.225	5	16	17	5	8.420	7.230	4	8	9	3	8.996	7.183	4	6	7	3
16" x 45#	7.035	8.406	7.225	5	16	17	5	8.420	7.230	4	8	9	3	8.996	7.183	4	6	7	3
16" x 50#	7.070	8.526	7.345	4	17	17	5	8.420	7.230	4	8	9	3	9.176	7.363	3	7	7	3
16" x 57#	7.120	8.526	7.345	4	17	17	5	8.600	7.413	3	9	9	3	9.176	7.363	3	7	7	3
18" x 35#	6.000	7.446	6.265	9	12	13	9	7.340	6.153	7	5	6	6	7.996	6.183	6	4	4	6
18" x 40#	6.015	7.446	6.265	9	12	13	9	7.340	6.153	7	5	6	6	7.996	6.183	6	4	4	6
18" x 46#	6.060	7.446	6.265	9	12	13	9	7.520	6.333	6	6	6	6	7.996	6.183	6	4	4	6
18" x 50#	7.495	8.886	7.705	3	18	19	3	8.960	7.773	2	10	10	2	9.536	7.723	2	8	8	2
18" x 55#	7.530	8.886	7.705	3	18	19	3	8.960	7.773	2	10	10	2	9.536	7.723	2	8	8	2
18" x 60#	7.555	8.886	7.705	3	18	19	3	8.960	7.773	2	10	10	2	9.536	7.723	2	8	8	2
18" x 65#	7.590	9.006	7.825	2	19	19	3	8.960	7.773	2	10	10	2	9.716	7.903	2	8	9	1
18" x 71#	7.635	9.006	7.825	2	19	19	3	9.140	7.953	2	10	11	1	9.716	7.903	2	8	9	1
21" x 44#	6.500	7.926	6.745	7	14	15	7	7.880	6.693	5	7	7	5	8.456	6.643	5	5	5	5
21" x 50#	6.530	7.926	6.745	7	14	15	7	7.880	6.693	5	7	7	5	8.456	6.643	5	5	5	5
21" x 57#	6.555	7.926	6.745	7	14	15	7	7.880	6.693	5	7	7	5	8.636	6.823	4	6	5	5
24" x 55#	7.005	8.406	7.225	5	16	17	5	8.420	7.230	4	8	9	3	8.996	7.183	4	6	7	3
24" x 62#	7.040	8.406	7.225	5	16	17	5	8.420	7.230	4	8	9	3	8.996	7.183	4	6	7	3

I-Beams

I-Beam Size & Weight	Flange Width	"X" Dim. (in)	MODEL 1/4 TON "x" Dim. (in)				MODEL 1/2 TON "x" Dim. (in)				MODEL 1 TON "x" Dim. (in)								
			# of washers at location	A	B	C	D	# of washers at location	A	B	C	D	# of washers at location	A	B	C	D		
4" x 7.7#	2.660	3.937	2.835	23	0	0	23	3.937	2.835	23	0	0	23	-	-	-	-	-	-
4" x 9.5#	2.796	4.055	2.953	23	0	1	22	4.055	2.953	23	0	1	22	-	-	-	-	-	-
5" x 10#	3.000	4.297	3.189	22	1	2	21	4.297	3.189	22	1	2	21	4.218	3.189	22	1	1	23
5" x 14.75#	3.284	4.537	3.435	21	2	3	20	4.537	3.435	21	2	3	20	4.458	3.425	21	2	2	22
6" x 12.5#	3.330	4.657	3.555	20	3	3	20	4.657	3.555	20	3	3	20	4.578	3.555	21	2	3	21
6" x 17.25#	3.565	4.897	3.795	19	4	4	19	4.897	3.795	19	4	4	19	4.818	3.795	20	3	4	20
7" x 15.3#	3.660	5.017	3.915	19	4	5	18	5.017	3.915	19	4	5	18	4.938	3.915	19	4	4	20
7" x 20#	3.860	5.137	4.035	18	5	5	18	5.137	4.035	18	5	5	18	5.058	4.035	19	4	5	19
8" x 18.4#	4.000	5.257	4.155	18	5	6	17	5.257	4.155	18	5	6	17	5.178	4.155	18	5	5	19
8" x 23#	4.171	5.499	4.397	17	6	7	16	5.499	4.397	17	6	7	16	5.418	4.395	18	5	6	18
10" x 25.4#	4.660	5.977	4.875	15	8	9	14	5.977	4.875	15	8	9	14	5.898	4.875	15	8	8	16
10" x 35#	4.944	6.217	5.114	14	9	10	13	6.217	5.114	14	9	10	13	6.138	5.115	14	9	9	15
12" x 31.8#	5.000	6.337	5.234	13	10	10	13	6.337	5.234	13	10	10	13	6.258	5.235	14	9	10	14
12" x 35#	5.078	6.337	5.234	13	10	10	13	6.337	5.234	13	10	10	13	6.378	5.355	13	10	10	14
15" x 42.9#	5.500	6.820	5.717	11	12	12	11	6.820	5.717	11	12	12	11	6.738	5.715	12	11	12	12
15" x 50#	5.640	6.940	5.837	11	12	13	10	6.940	5.837	11	12	13	10	6.858	5.835	11	12	12	12
18" x 54.7#	6.000	7.300	6.197	9	14	14	9	7.300	6.197	9	14	14	9	7.218	6.195	10	13	14	10
18" x 70#	6.250	7.540	6.437	8	15	15	8	7.540	6.437	8	15	15	8	7.458	6.435	9	14	15	9

I-Beam Size & Weight	Flange Width	"X" Dim. (in)	MODEL 2 TON "x" Dim. (in)				MODEL 3 TON "x" Dim. (in)				MODEL 5 TON "x" Dim. (in)								
			# of washers at location	A	B	C	D	# of washers at location	A	B	C	D	# of washers at location	A	B	C	D		
6" x 12.5#	3.330	4.685	3.504	20	1	1	21	-	-	-	-	-	-	-	-	-	-	-	-
6" x 17.25#	3.565	4.926	3.745	19	2	2	20	-	-	-	-	-	-	-	-	-	-	-	-
7" x 15.3#	3.660	5.046	3.865	19	2	3	19	-	-	-	-	-	-	-	-	-	-	-	-
7" x 20#	3.860	5.286	4.105	18	3	4	18	-	-	-	-	-	-	-	-	-	-	-	-
8" x 18.4#	4.000	5.406	4.225	17	4	4	18	5.360	4.173	12	0	0	12	-	-	-	-	-	-
8" x 23#	4.171	5.526	4.345	17	4	5	17	5.540	4.353	12	0	1	11	-	-	-	-	-	-
10" x 25.4#	4.660	6.006	4.825	15	6	7	15	6.080	4.893	10	2	2	10	6.656	4.843	10	0	0	10
10" x 35#	4.944	6.246	5.065	13	8	8	14	6.260	5.073	10	2	3	9	7.016	5.203	9	1	1	9
12" x 31.8#	5.000	6.366	5.185	13	8	8	14	6.440	5.253	9	3	3	9	7.016	5.203	9	1	1	9
12" x 35#	5.078	6.486	5.305	13	8	9	13	6.440	5.253	9	3	3	9	7.016	5.203	9	1	1	9
15" x 42.9#	5.500	6.846	5.665	11	10	10	12	6.980	5.793	8	4	5	7	7.556	5.743	8	2	3	7
15" x 50#	5.640	6.966	5.785	10	11	11	11	6.980	5.793	8	4	5	7	7.736	5.923	7	3	3	7
18" x 54.7#	6.000	7.326	6.145	9	12	12	10	7.340	6.153	7	5	6	6	8.096	6.283	6	4	4	6
18" x 70#	6.255	7.566	6.384	8	13	13	9	7.615	6.428	6	6	7	5	8.276	6.463	6	4	5	5
20" x 65.4#	6.250	7.566	6.384	8	13	13	9	7.615	6.428	6	6	7	5	8.276	6.463	6	4	5	5
20" x 75#	6.391	7.806	6.625	7	14	14	8	7.615	6.428	6	6	7	5	8.456	6.643	5	5	5	5
24" x 79.9#	7.000	8.406	7.225	5	16	17	5	8.420	7.094	4	8	9	3	8.996	7.183	4	6	7	3
24" x 90#	7.124	8.526	7.345	4	17	17	5	8.420	7.094	4	8	9	3	9.176	7.363	3	7	7	3
24" x 100#	7.247	8.646	7.465	4	17	18	4	8.600	7.413	3	9	9	3	9.356	7.543	3	7	8	2
24" x 106#	7.870	-	-	-	-	-	-	-	-	-	-	-	-	9.896	8.080	1	9	9	1
24" x 121#	8.050	-	-	-	-	-	-	-	-	-	-	-	-	10.076	8.263	1	9	10	0