

# MODEL PT TROLLEY

## Service Instructions and Parts List

Section O/T12, P01

4 Thru 12 Ton

### CAUTION:

THE EQUIPMENT ILLUSTRATED AND DESCRIBED IN THIS BULLETIN IS DESIGNED FOR MANUAL OPERATION ONLY AND IS NOT TO BE POWER DRIVEN, NOR IS IT SUITABLE FOR TRANSPORTING PERSONS!

The Model PT trolley is a relatively simple mechanism requiring comparatively little care, maintenance, inspection and lubrication.

The following information is provided to assist in installing and maintaining this equipment.

### INSTALLATION

Sliding the trolley over the open end of the runway beam is the simplest way to install this unit. If an open beam end is not available, one side plate can be removed and the unit can be reassembled on the beam. Always verify the trolley is adjusted properly to fit the beam. See the adjustment instructions below.

Always run the unit along the entire length of the runway beam to verify proper operation and clearances.

### GENERAL MAINTENANCE

Thorough inspection is recommended at regular intervals. The frequency of inspection must be determined by the user, since application factors such as duty cycle and ambient conditions will dictate the maintenance requirements of the unit.

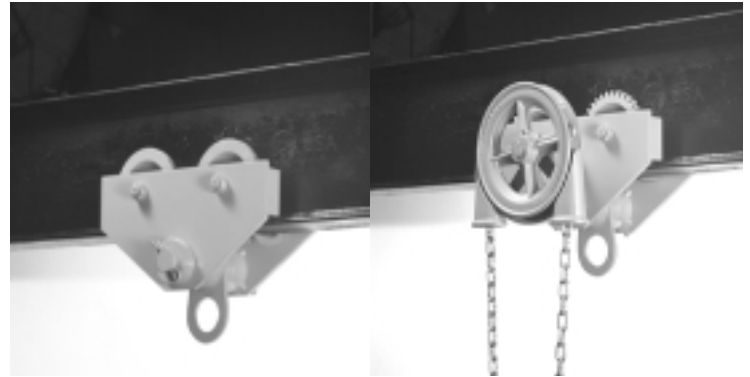
When inspections are made, the entire trolley should be inspected for wear, or for damage such as may be sustained through severe overloading or impact with other objects. Replace all damaged parts immediately. Check trolley motion along the runway beam, to verify proper operation.

### LUBRICATING THE TROLLEY

4 thru 12 ton PT Trolleys are built with sealed, precision tapered roller bearings that are factory lubricated. Grease fittings are provided on the back side of the trolley wheels and a small amount of lithium based NLGI Grade 2 grease can be added periodically to insure proper lubrication is maintained. Periodic lubrication of the trolley drive shaft support block and the handwheel guard is recommended. A small amount of lithium based NLGI Grade 2 grease should be applied through the grease fittings provided.

### WARNING:

DO NOT operate the trolley unless you are physically fit and trained to do so.

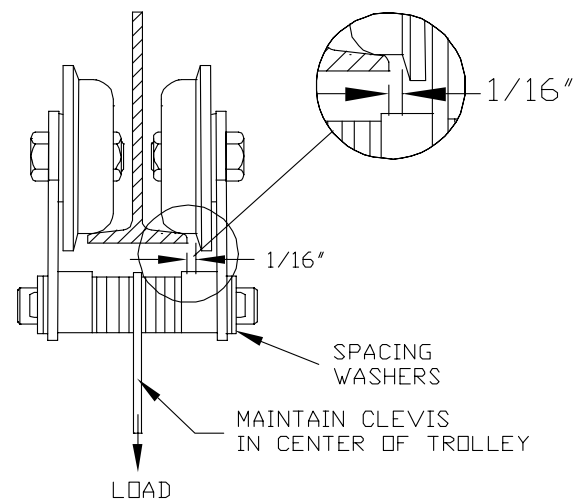


PLAIN TROLLEY

GEARED TROLLEY

### ADJUSTMENT INSTRUCTIONS:

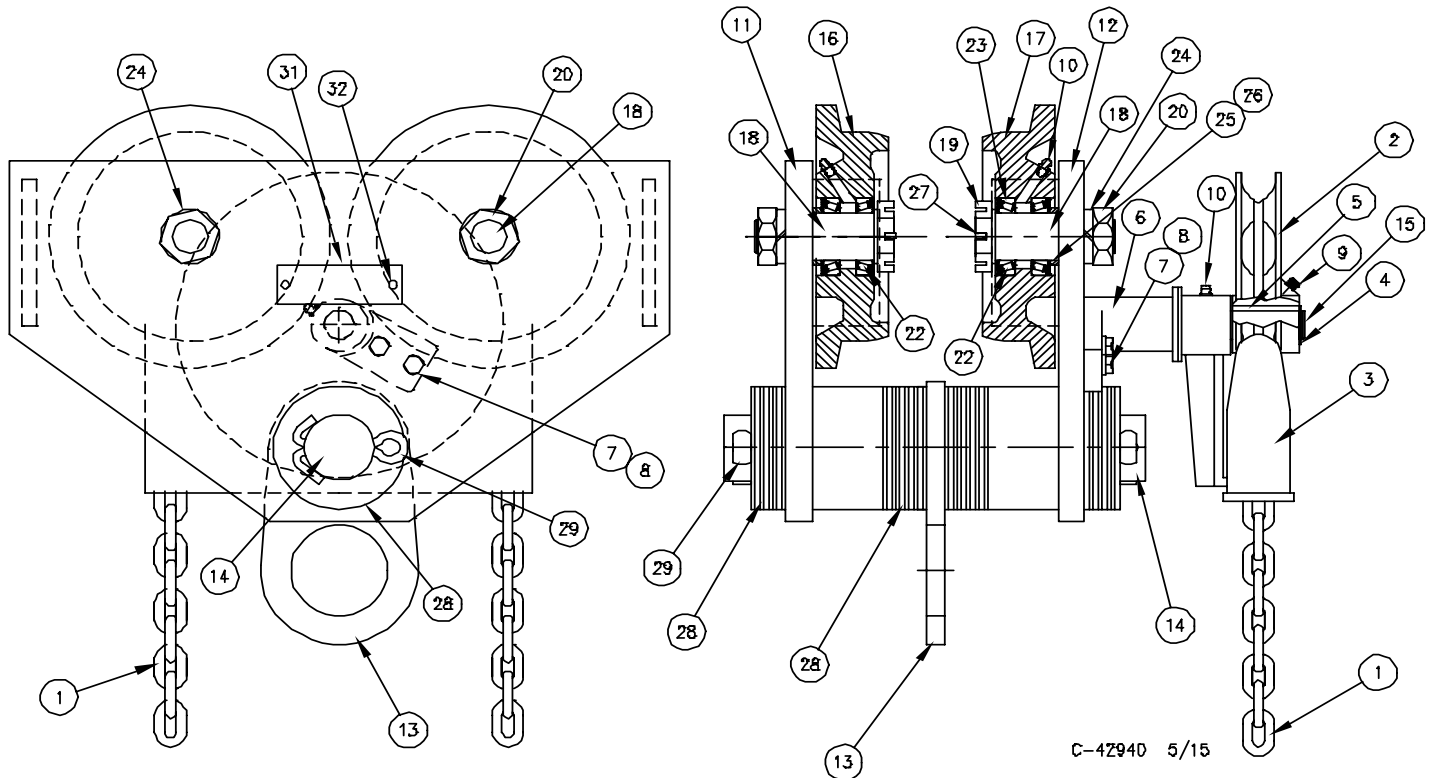
Beam flange width plus 1/16" running clearance on each side of the flange is the correct trolley setting. Move the spacing washers to the inside or outside of the plates as required.



### WARNING:

- DO fit all open beam ends with trolley stops.
- DO make sure there are no objects in the way of the moving load.
- DO NOT leave a load unattended.
- NEVER allow a load to swing off center.
- NEVER lift an off center load.
- DO NOT leave a load suspended for long periods of time.
- NEVER load the trolley beyond its rated capacity.
- DO NOT transport loads over people.

# 4 THRU 12 TON CAPACITY PT TROLLEY PARTS LIST



ITEM NO	ITEM DESCRIPTION	4 TON		5 AND 6 TON		8 TON		10 AND 12 TON	
		PART NO	QTY	PART NO	QTY	PART NO	QTY	PART NO	QTY
1	HAND CHAIN	C937	?(0)	C937	?(0)	C937	?(0)	C937	?(0)
1	CONNECTING LINK	C937L	1(0)	C937L	1(0)	C937L	1(0)	C937L	1(0)
2	HANDWHEEL	C9120-0100P1	1(0)	C9120-0100P1	1(0)	C9120-0150P1	1(0)	C9120-0150P1	1(0)
3	HANDWHL GUARD	C9121-0100P1	1(0)	C9121-0100P1	1(0)	C9121-0150P1	1(0)	C9121-0150P1	1(0)
4	SNAP RING (EXT)	5100-87	1(0)	5100-87	1(0)	5100-87	1(0)	5100-87	1(0)
5	KEY	13-.25-1.50	1(0)	13-.25-1.50	1(0)	13-.25-1.50	1(0)	13-.25-1.50	1(0)
6	SUPPORT BLOCK	C906AP1	1(0)	C906AP1	1(0)	C9106-0150P1	1(0)	C9106-0150P1	1(0)
7	LOCKWASHER	1-.31	2(0)	1-.31	2(0)	1-.50	2(0)	1-.50	2(0)
8	CAP SCREW	14-.31-1.00	2(0)	14-.31-1.00	2(0)	14-.50-1.25	2(0)	14-.50-1.25	2(0)
9	SET SCREW	58-.25-.87	1(0)	58-.25-.87	1(0)	58-.37-1.25	1(0)	58-.37-1.25	1(0)
10	GREASE FITTING	1743B	6(4)	1743B	6(4)	1743B	6(4)	1743B	6(4)
11	PLN SIDE PLATE	C42921	1	C42921	1	C42923	1	C42923	1
12	GRD SIDE PLATE	C42921G	1	C42921G	1	C42923G	1	C42923G	1
13	CLEVIS	C42926P6	1	C42926P7	1	C42926P8	1	C42926P9	1
14	EQUILIZING PIN	C42927P4	1	C42927P4	1	C42927P5	1	C42927P5	1
15	DRIVE SHAFT	C154A0150	1(0)	C154A0150	1(0)	C154A0800	1(0)	C154A0800	1(0)
16	PLAIN WHEEL	C37003-1	2(4)	C37003-1	2(4)	C37005-1	2(4)	C37005-1	2(4)
17	GEARED WHEEL	C37003-1G	2(0)	C37003-1G	2(0)	C37005-1G	2(0)	C37005-1G	2(0)
18	AXLE	C9110-0300	4	C9110-0300	4	C9110-0800	4	C9110-0800	4
19	ADJUSTING NUT	C9112-0300	4	C9112-0300	4	C9112-0800	4	C9112-0800	4
20	NUT	96-1.00-2	4	96-1.00-2	4	100-1.25-2	4	100-1.25-2	4
22	BEARING	C9116-0300	8	C9116-0300	8	C9116-0800	8	C9116-0800	8
23	BEARING CUP	C9117-0300	8	C9117-0300	8	C9117-0800	8	C9117-0800	8
24	LOCKWASHER	1-1.00	4	1-1.00	4	1-1.25	4	1-1.25	4
25	WHL SPACER(THK)	C9303-0200	4	C9303-0200	4	C9303-0400	4	C9303-0400	4
26	WHL SPACER(THN)	C9303A0200	4	C9303A0200	4	C9303A0400	4	C9303A0400	4
27	COTTER PIN	128-.15-1.75	4	128-.15-1.75	4	135-.18-1.75	4	135-.18-1.75	4
28	WASHER	C99911	47	C99911	47	C99907	36	C99907	36
29	COTTER PIN	128-.50-3.00	2	128-.50-3.00	2	128-.50-3.00	2	128-.50-3.00	2
31	SERIAL NO TAG	SNT-PTG(P)	1	SNT-PTG(P)	1	SNT-PTG(P)	1	SNT-PTG(P)	1
32	RIVETS	142-4-.25	2	142-4-.25	2	142-4-.25	2	142-4-.25	2

NOTE: QUANTITIES SHOWN FOR GEARED UNITS. PLAIN QUANTITIES ARE SHOWN IN BRACKETS ( ).

CHESTER HOIST LISBON, OH 44432 U.S.A. (330)424-7248 FAX (330)424-3126 www.chesterhoist.com

For more information contact: Sievert Crane and Hoist, (708) 771-1600, parts@sievertelectric.com, www.sievertcrane.com