

# PRECISION BEARING TROLLEY

## SERVICE INSTRUCTIONS AND PARTS LIST

### SECTION O/T16, P01

### 16 THRU 20 TON

#### CAUTION:

THE EQUIPMENT ILLUSTRATED AND DESCRIBED IN THIS BULLETIN IS DESIGNED FOR MANUAL OPERATION ONLY AND IS NOT TO BE POWER DRIVEN, NOR IS IT SUITABLE FOR TRANSPORTING PERSONS!

This trolley is a relatively simple mechanism requiring comparatively little care, maintenance, inspection and lubrication.

The following information is provided to assist in installing and maintaining this equipment.

#### INSTALLATION

Sliding the trolley over the open end of the runway beam is the simplest way to install this unit. If an open beam end is not available, one side plate can be removed and the unit can be reassembled on the beam. Always verify the trolley is adjusted properly to fit the beam. See the adjustment instructions below. Always run the unit along the entire length of the runway beam to verify proper operation and clearances.

#### GENERAL MAINTENANCE

Thorough inspection is recommended at regular intervals. The frequency of inspection must be determined by the user, since application factors such as duty cycle and ambient conditions will dictate the maintenance requirements of the unit.

When inspections are made, the entire trolley should be inspected for wear, or for damage such as may be sustained through severe overloading or impact with other objects. Replace all damaged parts immediately. Check trolley motion along the runway beam, to verify proper operation.

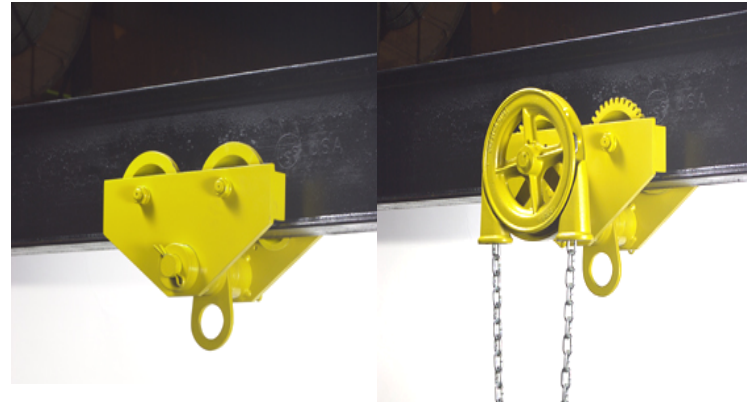
#### LUBRICATING THE TROLLEY

16 thru 20 ton Trolleys are built with sealed, precision tapered roller bearings that are factory lubricated. Grease fittings are provided on the back side of the trolley wheels and a small amount of lithium based NLGI Grade 2 grease can be added periodically to insure proper lubrication is maintained. Periodic lubrication of the trolley drive shaft support block and the handwheel guard is recommended. A small amount of lithium based NLGI Grade 2 grease should be applied through the grease fittings provided.

#### WARNING:

**DO NOT** operate the trolley unless you are physically fit and trained to do so.

**DO NOT** transport loads over people.

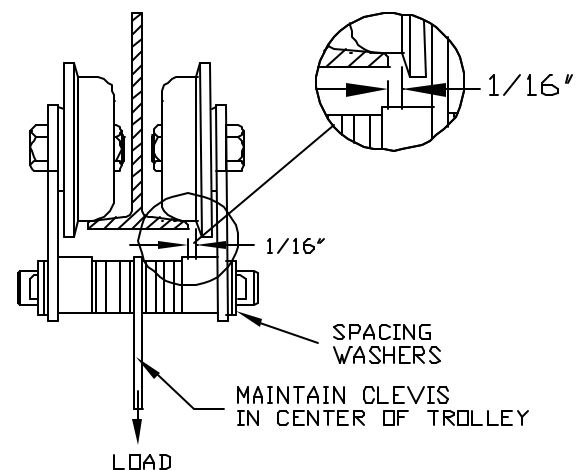


PLAIN TROLLEY

GEARED TROLLEY

#### ADJUSTMENT INSTRUCTIONS:

Beam flange width plus 1/16" running clearance on each side of the flange is the correct trolley setting. Move the spacing washers to the inside or outside of the plates as required.



#### WARNING:

**DO** fit all open beam ends with trolley stops.

**DO** make sure there are no objects in the way of the moving load.

**DO NOT** leave a load unattended.

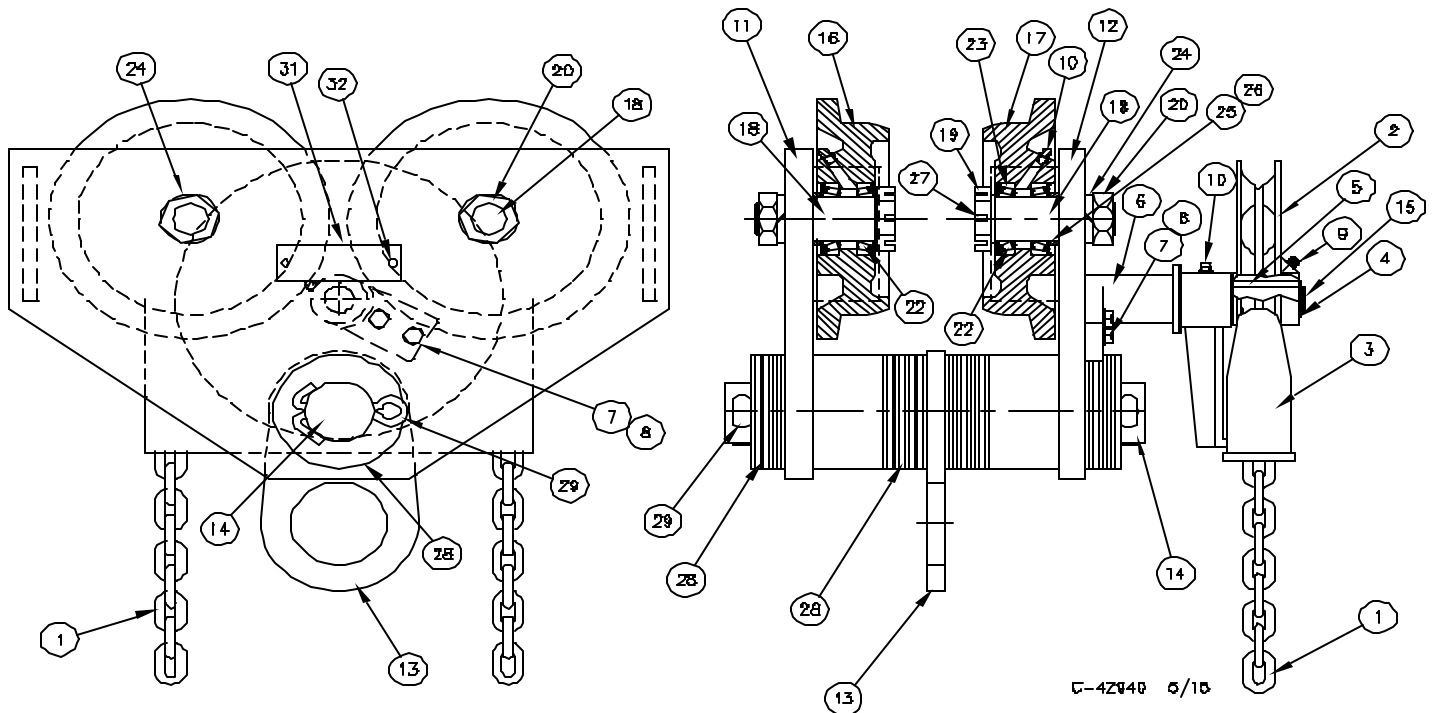
**NEVER** allow a load to swing off center.

**NEVER** lift an off center load.

**DO NOT** leave a load suspended for long periods of time.

**NEVER** load the trolley beyond its rated capacity.

# 16 THRU 20 TON CAPACITY PT TROLLEY PARTS LIST



ITEM NO.	ITEM DESCRIPTION	16 TON		20 TON	
		PART NO	QTY	PART NO	QTY
1	HAND CHAIN	C937	?(0)	C937	?(0)
1	CONNECTING LINK	C937L	1(0)	C937L	1(0)
2	HANDWHEEL	C9120-1000P1	1(0)	C9120-1000P1	1(0)
3	HANDWHEEL GUARD	C9121-1000P1	1(0)	C9121-1000P1	1(0)
4	SNAP RING (EXT)	5100-125	1(0)	5100-125	1(0)
5	HANDWHEEL KEY	13-.31-1.50	1(0)	13-.31-1.50	1(0)
6	SUPPORT BLOCK	C9106-1000P2	1(0)	C9106-1000P2	1(0)
7	LOCKWASHER	1-.50	2(0)	1-.50	2(0)
8	CAP SCREW	14-.50-1.50	2(0)	14-.50-1.50	2(0)
9	SET SCREW	58-.37-1.25	1(0)	58-.37-1.25	1(0)
10	GREASE FITTING	1743B	6(4)	1743B	6(4)
11	PLAIN SIDE PLATE	C43253	1	C43253	1
12	GEARED SIDE PLATE	C43253G	1	C43253G	1
13	CLEVIS	C43246P1	1	C43246P2	1
14	EQUILIZING PIN	C42927P16	1	C42927P16	1
15	DRIVE SHAFT	C154A1000	1(0)	C154A1000	1(0)
16	PLAIN WHEEL	C37006-1	2(4)	C37006-1	2(4)
17	GEARED WHEEL	C37006-1G	2(0)	C37006-1G	2(0)
18	AXLE	C43256	4	C43256	4
19	ADJUSTING NUT	C9112-1000	4	C9112-1000	4
20	NUT	100-2.25-2	4	100-2.25-2	4
22	BEARING CONE	C9116-1000	8	C9116-1000	8
23	BEARING CUP	C9117-1000	8	C9117-1000	8
24	LOCKWASHER	NOT REQUIRED	0	NOT REQUIRED	0
25	WHL SPACER(THK)	C9303-0500	4	C9303-0500	4
26	WHL SPACER(THN)	C9303A0500	4	C9303A0500	4
27	COTTER PIN	128-.25-3.50	4	128-.25-3.50	4
28	WASHER	C99913	26	C99913	26
29	COTTER PIN	128-.50-5.00	2	128-.50-5.00	2
31	CAPACITY TAG	C42929-1600	1	C-42929-2000	1
32	RIVETS	142-4-.25	2	142-4-.25	2

NOTE: PARTS ILLUSTRATED FOR STANDARD UNITS ONLY. ALWAYS SPECIFY SERIAL NUMBER AND CAPACITY WHEN ORDERING. QUANTITIES SHOWN FOR GEARED UNITS. PLAIN QUANTITIES ARE SHOWN IN BRACKETS ( ).

CHESTER HOIST, P.O. BOX 449, LISBON, OHIO 44432  
 PHONE: (330)424-7248 FAX: (330)424-3126 WEB: CHESTERHOIST.COM