

# **SIEVERT**

## **CRANE & HOIST**

### **DIVISION OF SIEVERT ELECTRIC**



Sievert Crane & Hoist is proud to offer customers all over the world a wide range of manufacturers to deliver the best products at the best prices, making Sievert the one stop shop for all your crane & hoist needs. We are the authorized dealers of lifting equipment, parts and accessories for the following (but not limited to):

#### **HOISTS**

Acco Lifting  
Budgit  
Chester  
Coffing  
Columbus McKinnon  
David Round  
Demag  
Detroit  
Electrolift  
Harrington  
Ingersoll-Rand  
Robbins & Myers (R&M)  
Shaw-Box  
Stahl  
Whiting  
Yale

#### **CRANES**

Sievert Crane & Hoist  
Abell Howe  
Acco  
Contrx  
Gorbel Systems  
Handling System  
Harrington  
Robbins & Myers  
Spanco Systems  
Thern Davit Cranes  
Trambeam

#### **ELECTRICAL & CONTROLS**

Conductix  
Drivecon  
Duct-O-Bar  
Electromotive  
Power Electronics  
Remtron  
Telemotive

For all your lifting needs including New Equipment, Parts, Accessories, Refurbishment, Crane Inspection and Service please contact us at:

#### **NEW EQUIPMENT SALES**

1230 S. Hannah Avenue,  
Forest Park, IL 60130  
sales@sievertelectric.com  
Office: (708) 771-1600  
Mobile: (708) 878-2231  
Fax: (708) 405-5180

#### **PARTS**

1230 S. Hannah Avenue,  
Forest Park, IL 60130  
parts@sievertelectric.com  
Office: (708) 771-1600 ext. 647  
Direct: (708) 435-5008  
Fax: (708) 435-5018

#### **SERVICE, REFURB & INSPECTION**

1230 S. Hannah Avenue,  
Forest Park, IL 60130  
service@sievertelectric.com  
Office: (708) 405-5154  
Mobile: (708) 878-2226  
Fax: (708) 405-5174

# Universal Trolley

The CM Universal Trolley (UT) is designed to fit virtually all Columbus McKinnon powered chain hoists up to 3 ton capacities.

CM Lodestar; Classic Lodestar; the new 2-ton, single-reeved Lodestar; Valustar; ShopStar; Man Guard; AirStar and AirStar 6.

COFFING JLC, EC1, EC3, and CAH Small and Large frame.

BUDGIT & YALE BEHC (Manguard), KELC (Manguard), YJL, 2200 Air and 6000 Air.

## BENEFITS & FEATURES

### UNIVERSAL DESIGN REDUCES INVENTORY

Designed to fit most CMCO brand air and electric chain hoists up to 3 tons, the UT reduces inventory costs while increasing inventory flexibility.

**THE SMART & ECONOMICAL CHOICE**  
With its very attractive price, the ability to be used with a multitude of hoists, and its long service life, the UT offers the greatest value of any trolley on the market today.

### CONVERTIBLE

Plain trolleys equipped standard with geared trackwheels and side plate. Simply add a hand-geared kit to convert unit to a geared trolley in the field.

### LONG LIFE & LOW MAINTENANCE

Dual tread wheels fit tapered or flat beams. Wheels include permanently lubricated shielded ball bearings for long life and low maintenance.

### EASILY ADJUSTABLE TO FIT A WIDE RANGE OF BEAMS

The UT can be quickly and easily adjusted to fit the most popular beam flange widths. Maximum flange width of 8-5/8."

The rugged UT is competitively priced and engineered for maximum versatility and long service life. With 1, 2 and 3 ton (metric rated) capacities, the CM Universal Trolley is available as a convertible plain unit, a geared unit ideal for precise hoist positioning, and a motorized unit that's perfect for applications requiring high cycling and long distance hoist travel. The plain and geared versions of the Universal Trolley are CE Compliant, making them ideal for the global market.

### OPERATOR SAFETY

The UT features wrap-around side plates. Drop lugs provide additional security to improve operator safety and protect the wheels.

### PINNED SUSPENSION BOLT

Castle nuts are pinned to ensure the bolts stay tightened, increasing operator safety.

### CORROSION RESISTANT

Zinc-plated bolts, nuts and washers along with painted frames protect against corrosion and wear.

### MACHINED TREAD WHEELS

Ensure a better fit to the beam for smoother operation and longer life.

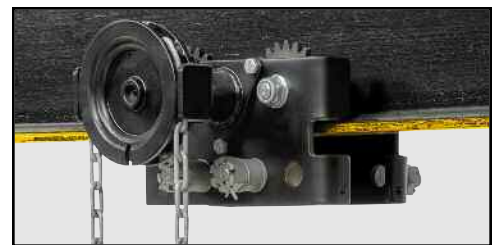
### CSA PENDING

### LIFETIME WARRANTY

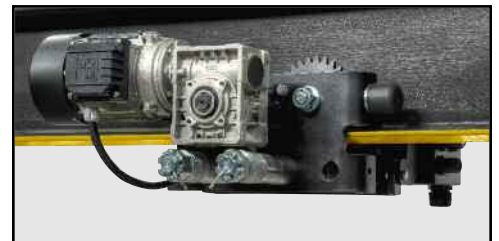
Best in the industry.



PLAIN



GEARED



MOTORIZED

## PLAIN & GEARED

CM UT plain trolleys allow for manual positioning of hoist and load, while geared units are ideal for applications where precise positioning is required. CM UT geared trolleys feature standard hand chain drop in proportion to a 20-foot-lift hoist.

## MOTORIZED

CM UT motorized trolleys are best for applications requiring high cycling and long-distance hoist travel.

### SPEED

15, 35 and 75 FPM traverse speed.

### AC POWER SUPPLY

208-230/460 3-60 HZ. Single-speed, three-phase controls standard.

### NEMA 3R WEATHER PROOFING

### EASY ACCESS CONTROL BOX

Control box design allows the entire cover to be removed for easy access to components. Control box case has a white background for increased visibility when wiring up the panel or making adjustments to controls.

### CONVENIENT TOOL TRAY

Electrical panel cover can be used as a tray to hold tools when repairing or servicing on the hoist.

# CTP Adjustable Trolley Clamp

## Capacities up to 6,600 LBS.

The heavy duty adjustable trolley clamp designed for easy installation while offering superior strength and stability throughout its long service life.

### QUICK & EASY INSTALLATION

The CTP Adjustable Trolley Clamp requires no tools for installation.

### THE SMART & ECONOMICAL CHOICE

With its competitive price and universal hanging clevis able to accept most hoists, the CTP is a tremendous value.

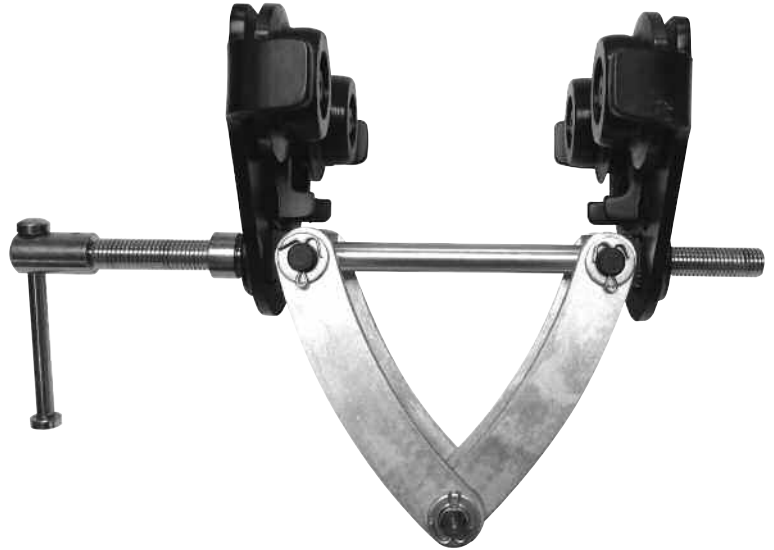
### CORROSION RESISTANT

Features a zinc-plated spindle for added protection against the elements.

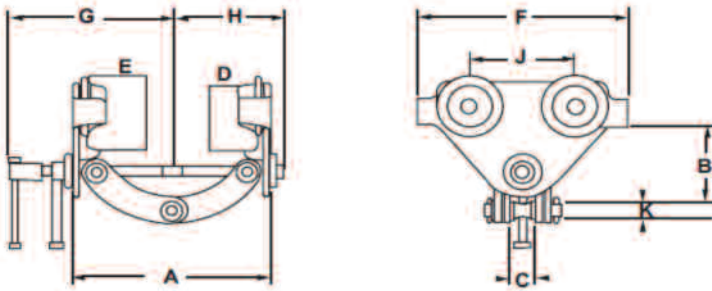
### SAFE & SECURE

The unique locking nut handle prevents spindle from loosening.

### METRIC RATED



Product Code	Model	Capacity		I Beam Width (in.)	Minimum Radius Curve (in.)	Wheel Diameter (in.)
		Lbs.	Ton			
05500024	CTP/A 1T	2200	1	2-1/4 to 6	24	2.36
05500025	CTP/A 2T	4400	2	3 to 7-7/8	35	3.27
05500026	CTP/B 2T	4400	2	7-7/8 to 11-7/8	35	3.27
05500027	CTP/A 3T	6600	3	3 to 7-7/8	45	4.37
05500028	CTP/B 3T	6600	3	7-7/8 to 12-1/2	45	4.37



### DIMENSION CHART

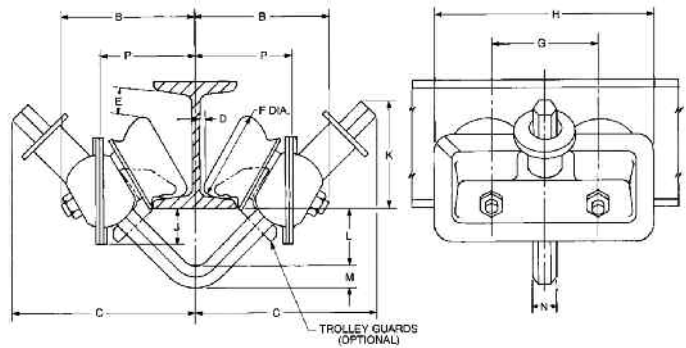
Model	Part Number	Working Load Limit	Jaw Capacity	Wheel Diameter	Minimum Curve Radius	A		B		C	D	E	F	G	H	J	K	Weight	
						Min	Max	Min	Max										
		Bl	in.	in.	in.	in.	in.	in.	in.	in.	in.	in.	in.	in.	in.	in.	in.	lb.	
CTP/A 1T	005500024	2,200	2-3/8"- 5-7/8"	2.362	24"	3.74	7.283	3.228	4.291	1.026	2.598	2.874	6.299	6.020	4.134	2.952	0.787	5.5	
CTP/A 2T	005500025	4,400	3"-7-7/8"	3.267	35"	4.921	9.843	4.173	6.102	1.653	3.543	3.937	10.236	8.070	5.471	5.118	0.787	21.8	
CTP/B 2T	005500026	4,400	7-7/8"-11-7/8"	3.267	35"	4.921	9.843	5.365	7.519	1	.653	3.543	3.937	10.236	10.039	7.441	5.118	0.787	22.7
CTP/A 3T	005500027	6,600	3"-7-7/8"	4.37	45"	5.315	10.236	5.039	6.732	1.969	4.331	4.921	12.207	8.661	6.102	5.906	0.866	38.6	
CTP/B 3T	005500028	6,600	7-7/8"-11-7/8"	4.37	45"	5.315	10.236	5.905	8.346	1.969	4.331	4.921	12.207	11.02	8.464	5.906	0.866	43	

# CM Series 632 close radius trolley



With revolutionary advances, this shorter, more compact trolley is 50% lighter than competitive trolleys, yet every bit as tough.

- Negotiates radius curves as tight as 7 to 10 inches
- Made of highest quality rolled steel
- Unique double row, ball bearing wheel design for greater wear capacity
- Larger V-bars available for wider flange adjustment
- For low headroom applications
- Bearings pre-packed with lifetime lubricant
- Exclusive Dial-Fit collar quickly adapts trolley to wide range of beams and patented rails
- Dust covers shield and protect bearings
- Trolleys available for larger beams, rails or tracks; contact CM
- Cast iron trolley guards available (except for 3 ton)
- Lifetime warranty
- Made in U.S.A.



## Clearance dimensions (in.)

Dimension	Rated capacity* (tons)			
	1/4 & 1/2	1	1 1/2 & 2	3
Min. radius curve (in.)	7	7	10	10
B	4 1/4	4 3/8	5 5/8	6 3/16
C	5 7/8	6	7 1/2	8 1/16
D	3/16	3/16	3/8	1 1/16
E	1 3/16	1 3/16	2 3/16	4 1/16
F	2 3/4	2 3/4	3 1/2	3 1/2
G	3 3/8	3 3/8	4 1/2	4 1/2
H	7	7	9	9
J	1 1/8	1 1/8	1 1/2	1 5/8
K	3 3/8	3 1/2	4 3/8	4 13/16
L	1 13/16	1 5/8	2	2 5/8
M	1 1/16	7/8	1 1/8	1 1/8
N	7/8	1	1 1/4	1 1/4
P	3	3 1/8	3 7/8	4 15/16

Dimensions given are for minimum S-beam and will vary with larger beams.

## \*WARNING

Overloading and improper use can result in injury.

### To avoid injury:

- Do not exceed working load limit, load rating capacity
- Do not use to lift people or loads over people.
- use only alloy chain for overhead lifting.
- Read and follow all instructions.

## Specifications

Rated capacity* (tons)	Product code	Adj. for standard S-beams		Tread diameter (in.)	Net weight (lbs.)	Shipping weight (lbs.)	Minimum radius curve (in.)
		Depth of beam (in.)	Flange width (in.)				
1/4-1/2	3222	4-12	2 5/8-5 1/16	2 3/4	9	10	7
1	3224	4-12	2 5/8-5 1/16	2 3/4	10	12	7
1 1/2-2	3226	6-15	3 3/8-5 5/8	3 1/2	23	25	10
3	3230	8-18	4-6 1/4	3 1/2	29	33	10

All capacities can be supplied for S-beams larger than listed and also for wide flange beams, rails or tracks with approximately equivalent flange widths.

# Series 84A plain or geared trolley

Manufactured for heavy duty, industrial grade applications. CM Series 84A trolleys feature fully sealed, precision bearings, heavy duty side frames and fully machined wheel tread for superior performance and **long life — with minimal maintenance.**

- Available in capacities from 1/4 through 25 ton with 30 through 50 ton trolleys available as tandem construction.
- Lifetime lubricated, precision ball bearings on trolleys through 3 ton capacity. Trolleys with capacities 4 tons and greater are equipped with eight sealed, Timken tapered roller bearings and grease fittings.
- Heavy rolled steel side frames extend beyond the wheels to provide these trolleys with superior strength, rigidity and added protection for the trackwheels. Units with capacities from 1/4 through 12 tons employ universal wheel treads for use on flat or tapered beam flanges. Units with capacities from 16 through 25 tons operate on American Standard I-beams with tapered flanges. For patented track, consult factory.
- Trolley wheels are fully machined from alloy cast iron and hardened for high strength and long life.
- Alloy steel axles and equalizer pins are heat treated for maximum strength and wear life.
- Geared versions have fully machined trackwheel gears and incorporate a swinging chain guide which keeps the hand chain aligned and free from jamming.
- Available to fit a broad range of wider flange beams and patented track applications not listed - contact factory.
- Made in the USA
- Spark resistant models available — add suffix “SR”



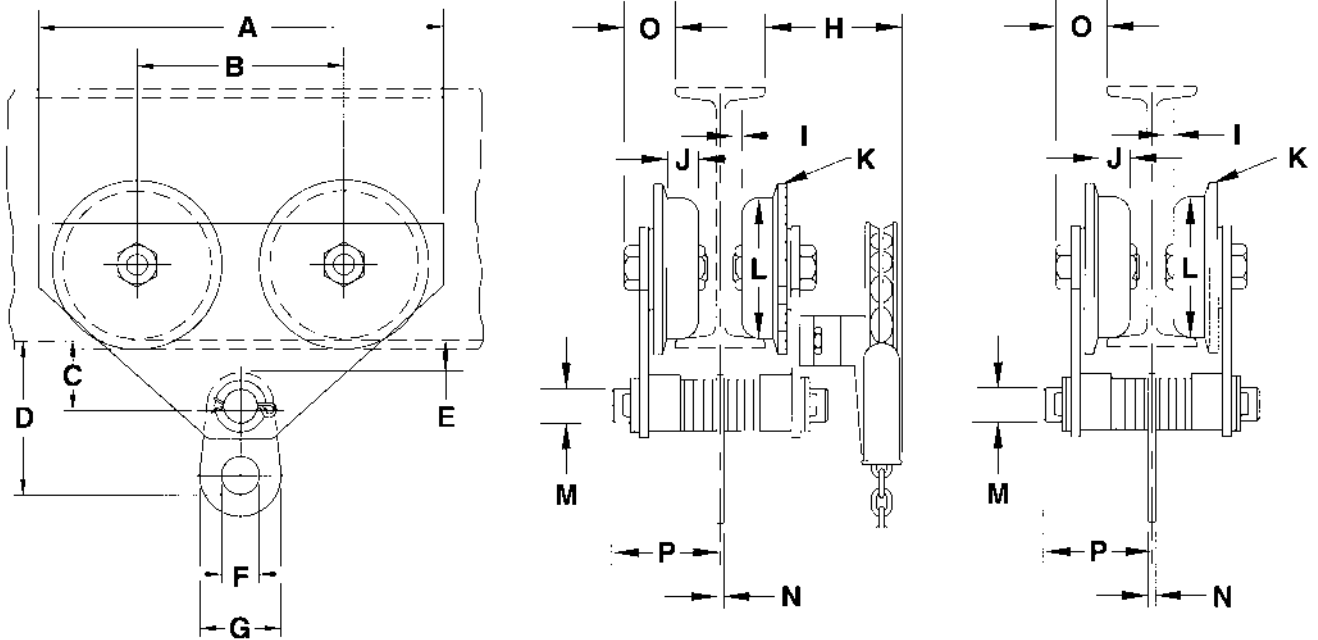
## Specifications

Product code	Rated capacity (tons)	Beam height (in.)	Flange width (in.)	Minimum radius curve (in.)	Approximate net weight	
					Plain	† Geared
1641-0025	1/4	4 - 12	2.66 - 5.00	20	23	38
1641-0050	1/2	4 - 12	2.66 - 5.00	20	23	38
1641-0100	1	5 - 12	3.00 - 6.00	24	43	62
1641-0150	1 1/2	5 - 12	3.00 - 6.00	24	45	65
1641-0200	2	6 - 18	3.33 - 6.25	30	67	90
1641-0300	3	6 - 18	3.33 - 6.25	30	70	93
1641-0400	4	8 - 24	4.00 - 7.00	36	155	184
1641-0500	5	8 - 24	4.00 - 7.00	36	160	188
1641-0600	6	8 - 24	4.00 - 7.00	36	160	188
1641-0800	8	10 - 24	4.62 - 8.00	60	300	347
1641-1000	10	10 - 24	4.62 - 8.00	60	310	360
1641-1200	12	10 - 24	4.62 - 8.00	60	310	360
1631-1600	16	18 - 24	6.00 - 8.00	96	800	895
1631-2000	20	18 - 24	6.00 - 8.00	96	845	955
1631-2500	25	18 - 24	6.00 - 8.00	120	1045	1200

For wide flange beam adaptation, patented track or for beams larger than standard - contact factory.

† Weight less hand chain. **8 Ft. standard zinc plated hand chain drop on geared trolley.** Specify curve on order.

## Series 84A plain or geared trolley-specifications



Cap. (tons)	A	B	C	D	E	F	G	H	I	J	K	L	M	N	O	P
1/4	11 1/2	6	1 7/8	4 7/8	7/8	1 3/4	2 3/4	6	—	7/8	4	2 7/8	1	1/4	2	4 1/8
1/2	11 1/2	6	1 7/8	4 7/8	7/8	1 3/4	2 3/4	6	—	7/8	4	2 7/8	1	1/4	2	4 1/8
1	13 1/4	6 3/4	2 1/4	5 3/8	1	1 3/4	3	6 1/8	—	1 1/8	5	3 3/4	1 1/4	1/4	1 3/4	4 3/4
1 1/2	13 1/4	6 3/4	2 1/4	5 3/8	1	2	3 1/4	6 1/8	—	1 1/8	5	3 3/4	1 1/4	3/8	1 3/4	4 3/4
2	15 5/8	7 5/8	2 5/8	6 3/4	1 1/8	2 1/8	3 5/8	6 1/8	—	1 1/8	6	4 1/2	1 1/2	3/8	2 1/8	5 1/4
3	15 5/8	7 5/8	2 5/8	6 7/8	1 1/8	2 1/4	4	6 1/8	—	1 1/8	6	4 1/2	1 1/2	1/2	2 1/8	5 1/4
4	18 3/4	8 1/2	3 1/4	8 3/8	1 1/4	2 3/4	4 3/4	8 1/8	1/8	1 3/8	8	6 3/8	2	5/8	2 5/8	6 1/8
5	18 3/4	8 1/2	3 1/4	8 5/8	1 1/4	3	5 1/2	8 1/8	1/8	1 3/8	8	6 3/8	2	5/8	2 5/8	6 1/8
6	18 3/4	8 1/2	3 1/4	8 5/8	1 1/4	3	5 1/2	8 1/8	1/8	1 3/8	8	6 3/8	2	5/8	2 5/8	6 1/8
8	23 5/8	10 5/8	3 7/8	10 5/8	1 3/8	3 1/2	6 1/2	9	1/8	1 11/16	10	8 1/4	2 1/2	3/4	3 1/4	6 7/8
10	23 5/8	10 5/8	3 7/8	11 1/8	1 3/8	4 1/2	8	9	1/8	1 11/16	10	8 1/4	2 1/2	1	3 1/4	6 7/8
12	23 5/8	10 5/8	3 7/8	11 1/8	1 3/8	4 1/2	8	9	1/8	1 11/16	10	8 1/4	2 1/2	1	3 1/4	6 7/8
16	28 1/4	14	5 7/8	15 1/4	2 1/2	4	9	14 1/2	5/16	2	13 1/2	11 3/4	3 1/4	1 1/2	7	8
20	28 1/4	14	5 7/8	16 5/8	2 1/2	4	10	14 1/2	5/16	2	13 1/2	11 3/4	3 1/4	1 3/4	7	8 1/4
25	28 1/4	14	5 7/8	16 3/4	2 1/8	4	10	14 1/2	5/16	2	13 1/2	11 3/4	3 1/4	1 3/4	7	8 1/4

**Notes:** All dimensions are in inches.

Wheels with convex treads are standard on all capacities.

20, 25, 30 and 40 ton trolleys can be furnished in tandem construction - Dimensions for 30 through 50 ton units available upon request.

Dimensions shown are for minimum beam size and will vary proportionately for larger beams.



# CBT Trolley

## Plain or Geared Trolleys – Versatile, Economical, and Reliable

The smooth rolling CM Hoist CBT is the economical choice for most applications. The trolley features steel wrap around side plates, dual tread wheels and lifetime lubricated shielded ball bearings. The CBT Model by CM Hoist is available in plain and geared models.

- **Capacities** - Rated loads from 1/4 to 5 Ton (Metric Rated). In plain and geared models.
- **Economical** - Excellent low cost choice for manual and powered hoists.
- **Rugged** - Designed to provide superior performance and long, efficient service.
- **Low Rolling Effort** - Geared models have standard 6-foot hand chain drop. Other hand chain drops available.
- **Universal Hanging Clevis** - Accepts most hook mounted hoists.
- **Adjustable** - Trolley easily adjusts to fit any beam flange within range of adjustment, up to an 8.7" flange width.
- **Wrap-Around Side Plates** - Lugs provide additional security to increase operator safety and act as bumpers to protect wheels.
- **Dual Tread Wheels** - Will fit either tapered or flat beam flange within range of adjustment. Wheels include permanently lubricated, shielded ball bearings for long life and low maintenance.
- **Lifetime Warranty**



CBTP  
(Plain Trolley)  
1/4 To 5 Ton



CBTG  
(Geared Trolley)  
1 To 5 Ton

### SPECIFICATIONS - Model CBT

Capacity * (Ton)	Plain Product Code**	Geared Product Code**	Standard Beam Height (In.)	I-Beam Width (In.)	Minimum Radius Curve (In)	Wheel Tread Diameter (In)	Wt. (Lb.)
1/4	CBT(P)-0025		4-24	2.0-8.7	27	2.36	19
1/2	CBT(P)-0050		4-24	2.0-8.7	27	2.36	19
1	CBT(P)-0100	CBT(G)-0100	5-24	2.3-8.7	36	2.36	26
1 1/2	CBT(P)-0150	CBT(G)-0150	6-24	2.3-8.7	45	3.15	46
2	CBT(P)-0200	CBT(G)-0200	6-24	2.3-8.7	45	3.15	46
3	CBT(P)-0300	CBT(G)-0300	8-24	3.0-8.7	55	4.41	86
5	CBT(P)-0500	CBT(G)-0500	10-24	3.5-8.7	70	4.92	130

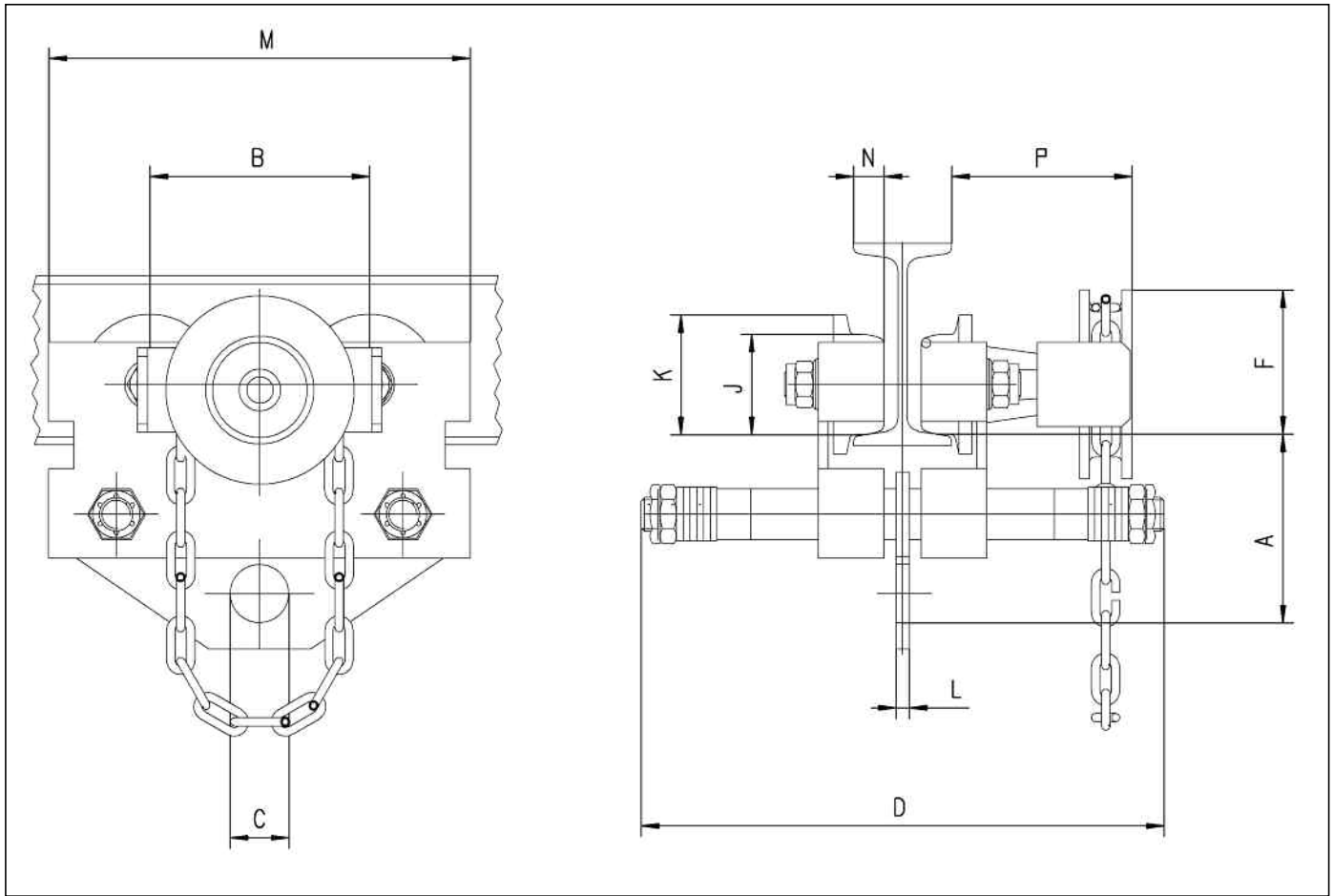
\* Metric Rated

\*\*When ordering specify "P" for plain trolley or "G" for geared trolley

## CBT Trolley - Specifications

Dimensional Drawing - 602

Model CBTP/CBTG 1/4-5 Metric Ton



Clearance Dimensions (In.)

Model CBT

Capacity (Ton)	A	B	C	D	CBTG F	J	K	CBTG K	L	M	N	CBTG P
1/4	3.94	3.54	1.18	11.81	-	2.36	2.83	-	.31	7.56	.71	-
1/2	3.94	3.54	1.18	11.81	-	2.36	2.83	-	.31	7.56	.71	-
1	4.33	5.12	1.38	12.20	3.60	2.36	2.83	3.03	.31	9.84	.71	4.33
1 1/2	5.12	5.91	1.89	12.60	3.56	3.15	3.78	3.86	.47	11.81	.79	4.33
2	5.12	5.91	1.89	12.60	3.56	3.15	3.78	3.86	.47	11.81	.79	4.33
3	6.18	7.09	2.36	13.39	4.23	4.41	5.20	5.24	.55	14.57	1.14	4.33
5	7.09	8.23	2.76	13.78	5.89	4.92	5.63	5.87	.79	17.32	1.26	4.33



# CM Series 633 wide range trolley



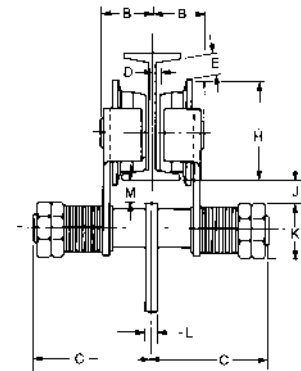
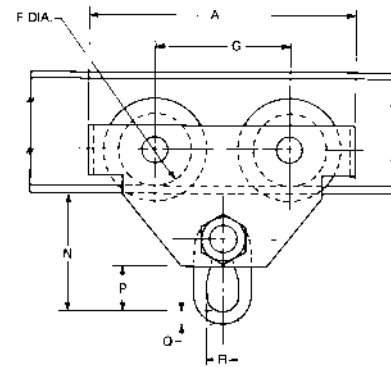
Simple, rugged, built for trouble-free service and ease of operation across a wide range of beam applications.  
Series 633 features:

- Rugged steel side plates formed to include bumpers and trolley guards
- Frames connected by steel equalizer pin, secured by two nuts on each side
- Universal tread flanged trackwheels equipped with shielded ball bearings
- Easy rolling on American standard shapes, wide flange shapes or patented rail
- Hardened wheels and axles for added strength and durability
- Spacer washers can be shifted inside or outside for easy adjustment to wide range of beams
- To be used with hook suspended hoist
- Suspension plate for easy attachment is standard
- Bearings pre-packed with lifetime lubricant
- One-year warranty
- Imported
- Metric Rated

## Clearance dimensions (in.)

Dimension	Rated capacity* (tons)				
	1/2	1	2	3	5
Min. radius curve (in.)	35	35	59	71	94
A	8 1/2	10 13/16	12 7/32	14 13/16	18 1/8
B**	2 5/32	2 13/32	2 11/16	3 1/16	3 21/32
C	5 1/16	6 9/16	6 25/32	7 13/32	8
D**	1/16	7/16	13/32	1/2	9/16
E**	-1/4	11/32	25/32	17/16	23/16
F	2 9/32	3 15/32	3 15/16	5 1/8	6 1/8
G	4	4 7/8	5 1/2	6 9/16	7 7/8
H**	3	4 11/32	4 29/32	6 1/8	7 9/32
J**	1 1/32	1 1/32	25/32	13/16	2 1/8
K	1 3/4	2 3/32	2 1/2	3 13/32	3 13/32
L	1/2	1/2	5/8	5/8	13/16
M**	15/16	31/32	5/16	15/16	17/16
N**	4 3/32	5 1/16	5 13/16	7 7/16	9 15/16
P	1 7/32	1 3/4	2 5/32	2 9/16	3 23/32
Q	1 9/32	1 9/32	1 3/16	1 3/8	1 25/32
R	3 1/32	1 5/32	1 5/8	1 31/32	2 9/16

\*\*Dimensions given are for minimum S-beam and will vary with larger beams.



## Specifications

Rated capacity* (tons)	Product code	Adj. for standard S-beams			Net weight (lbs.)	Shipping weight (lbs.)
		Depth of beam (in.)	Flange width (in.)	Tread diameter (in.)		
1/2	3302	3-15	2 1/2-5 5/8	2 9/32	15	17
1	3304	5-24	3-8	3 15/32	34	36
2	3306	6-24	3 5/8-8	3 15/16	50	53
3	3307	8-24	4-8	5 1/8	95	100
5	3309	10-24	4 5/8-8	6 1/8	172	175

# RailStar motor driven trolley

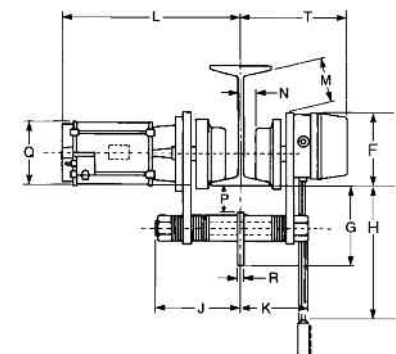
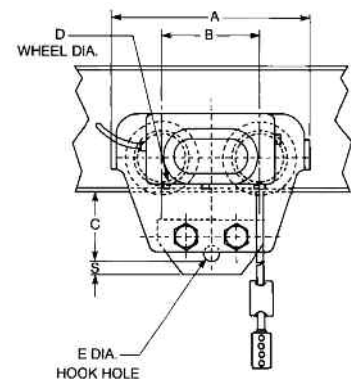


- Fits wide range of beam sizes for maximum versatility
- Universal use with any hook suspended single speed hoists that are equipped with reversing contactor
- Steel spur gearing for optimum strength and smooth operation
- Durable hardened cast iron trackwheels that operate on standard S-beams or flat flanged beams
- Lifetime lubricated double row ball bearings for high efficiency, low maintenance
- Cast iron control enclosure
- Four-button control station included for operating single speed hoist. Drop proportioned to 20' lift
- Steel plate side frames
- 115 volt control circuit on 1 phase units  
48 volt control circuit on 3 phase units
- Trolley guards standard
- One-year warranty
- Metric rated
- Imported

## Clearance dimensions (in.)

Dimension	Rated capacity* (tons)	
	1/8 - 2	3
A	12 <sup>3</sup> / <sub>4</sub>	14 <sup>1</sup> / <sub>8</sub>
B	6 <sup>3</sup> / <sub>8</sub>	6 <sup>3</sup> / <sub>4</sub>
C**	4 <sup>13</sup> / <sub>16</sub>	5 <sup>1</sup> / <sub>4</sub>
D	3 <sup>9</sup> / <sub>16</sub>	3 <sup>15</sup> / <sub>16</sub>
E	2 <sup>9</sup> / <sub>16</sub>	2 <sup>15</sup> / <sub>16</sub>
F**	4 <sup>3</sup> / <sub>4</sub>	5 <sup>3</sup> / <sub>16</sub>
G**	6	6 <sup>5</sup> / <sub>16</sub>
H**	17 ft.	17 ft.
J	7 <sup>1</sup> / <sub>2</sub>	9 <sup>15</sup> / <sub>16</sub>
K	4 <sup>1</sup> / <sub>8</sub>	4 <sup>11</sup> / <sub>16</sub>
SINGLE PHASE L	12 <sup>3</sup> / <sub>4</sub>	15 <sup>3</sup> / <sub>16</sub>
THREE PHASE L	11 <sup>7</sup> / <sub>16</sub>	13 <sup>7</sup> / <sub>8</sub>
M**	1 <sup>1</sup> / <sub>2</sub>	2 <sup>15</sup> / <sub>16</sub>
N**	3/8	3/4
P**	1 <sup>7</sup> / <sub>16</sub>	1 <sup>9</sup> / <sub>16</sub>
Q**	5 <sup>1</sup> / <sub>8</sub>	5 <sup>7</sup> / <sub>8</sub>
R	1/2	3/4
S	1 <sup>1</sup> / <sub>16</sub>	1 <sup>1</sup> / <sub>16</sub>
T**	8 <sup>7</sup> / <sub>8</sub>	9 <sup>9</sup> / <sub>16</sub>

\*\*Dimensions given are for minimum S-beam and will vary with larger beams.



## Specifications

Rated capacity (tons)	Product Code	Operating Voltage		Phase	Travel Speed		Motor H.P.	Min. beam size	Max. beam size	Shipping weight (lbs)
		50 hertz	60 hertz		50 hertz (F.P.M.)	60 hertz (F.P.M.)				
1/8-2	0300	220/380-415	220-240/440-480	3	65	78	1/3	S6x12.5	S18x54.7	108
1/8-2	0301	n/a	110-120	1	n/a	78	1/3	S6x12.5	S18x54.7	113
3	0302	220/380-415	220-240/440-480	3	65	78	3/4	S8x18.4	S24x79.9	185
3	0303	n/a	110-120	1	n/a	78	3/4	S8x18.4	S24x79.9	190

Note: Three phase units are reconnectable for high and low range voltage

## \*WARNING

Overloading and improper use can result in injury.

### To avoid injury:

- Do not exceed working load limit, load rating capacity
- Do not use to lift people or loads over people.
- use only alloy chain for overhead lifting.
- Read and follow all instructions.

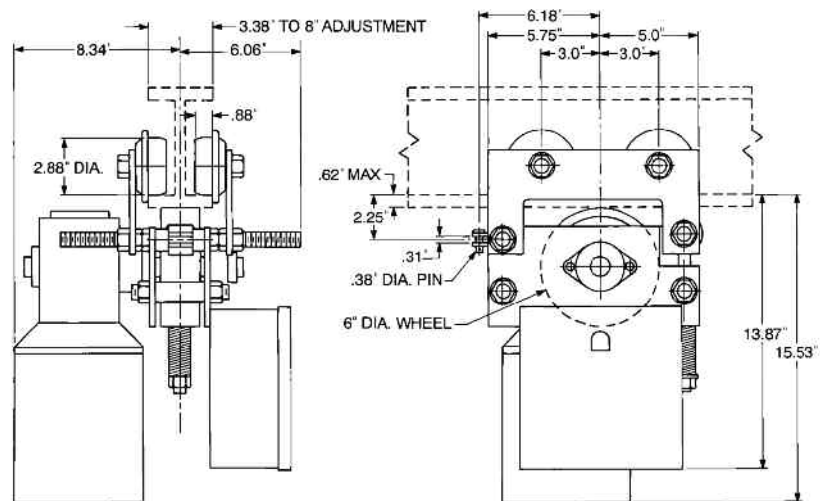
# Tractor drive

**Power tractor drives push-type hoists, trolleys and underhung cranes. Easy installation without removing or modifying existing equipment. This drive also features:**

- Compact design
- Capacities up to 5 tons available in 230/460-3-60 operation
- Monorail trolley track or twin unit synchronized drives available
- Direct drive with right angle worm gear reducer
- Enclosed aluminum housing for lubrication of gears and bearings
- Steel plate construction with tie-rods for easy adjustment
- Squirrel cage motor with permanently lubricated bearings
- Fully machined trolley wheels with universal tread operate on tapered or flat flange beams
- Adjusts to standard I-beams or flat flange beams up to 8 inches wide
- Standard magnetic reversing contactor with mechanical interlock inside NEMA 1 enclosure
- One-year warranty
- Made in U.S.A.

## Options

- 575 volt 3 phase 60 hertz operation
- 2, 4, 6 & 8 button push-button station
- Additional push-button cable length (10' standard)
- NEMA 12, 4 or 4X control enclosures
- Motor brake
- Soft start (recommended for speeds above 70 F.P.M.)
- Two speed or variable controls
- Transformer for 115 volt control power
- Tow bar
- For other beams, options or custom designs, consult factory



Rated capacity* (tons)	Product code	Speed (F.P.M.)	Motor H.P.	Motor RPM	Std. beam size (in.)	Min. radius curve (in.)	Approx. Max. flange thickness (in.)	shipping wt. (lbs.)
1	TD 235	35	1/4	900	3.38-8	36	.62	110
1	TD 255	55	1/4	900	3.38-8	36	.62	110
1	TD 270	70	1/4	900	3.38-8	36	.62	110
1	TD 2105	105	1/4	900	3.38-8	36	.62	110
1½	TD 335	35	1/4	900	3.38-8	36	.62	110
1½	TD 355	55	1/4	900	3.38-8	36	.62	110
1½	TD 370	70	1/4	900	3.38-8	36	.62	110
1½	TD 3105	105	1/4	900	3.38-8	36	.62	110
2½	TD 535	35	1/4	900	3.38-8	36	.62	110
2½	TD 555	55	1/4	900	3.38-8	36	.62	110
2½	TD 570	70	1/4	900	3.38-8	36	.62	110
3	TD 635	35	1/4	900	3.38-8	36	.62	110
3	TD 655	55	1/4	900	3.38-8	36	.62	110
5	TD 1035	35	1/4	900	3.38-8	36	.62	110

# Hoist Test Stand - 12 Ton Capacity

## The Value - Priced, Hydraulic Hand Operated Test Stand — Tests Hoist Capacity to 12 Tons

The Value-Priced CM Test Stand is specially designed for the testing of hoisting equipment as required by the applicable sections of ASME Code B30.16. Unlike other test stands on the market that weigh thousands of pounds, the CM Value-Priced Test Stand weighs only 496 pounds. Portability for on-site testing becomes more practical. Fewer wearing parts provide superior performance.

- Hand operated hydraulic pump eliminates the need for electrical power.
- Capable of applying test loads up to 12 tons.
- Compact, self-contained design for portability and on-site testing.
- Eliminates the need for cumbersome test weights.
- Capable of both static and dynamic testing.
- Tests the function of overload devices.
- Rugged steel frame construction for strength and durability.
- High quality, high strength, hydraulic cylinder made from chromium-molybdenum steel, heat treated for long life and chrome plated for added protection.
- Two-stage, quick action hand pump for ease of operation.
- Fine adjustment pressure valve for accurate load testing.
- Large pressure gauge for easy reading.
- Made in USA

### Technical data

#### Hydraulic Cylinder (hollow)

Type	• Single acting, spring return
Maximum pulling force	• 12 tons @ 5800 p.s.i.
Stroke	• 6 in.
System pressure	• 0 - 5800 p.s.i.
Center hole diameter	• .87 in.

#### Hydraulic Hand Pump

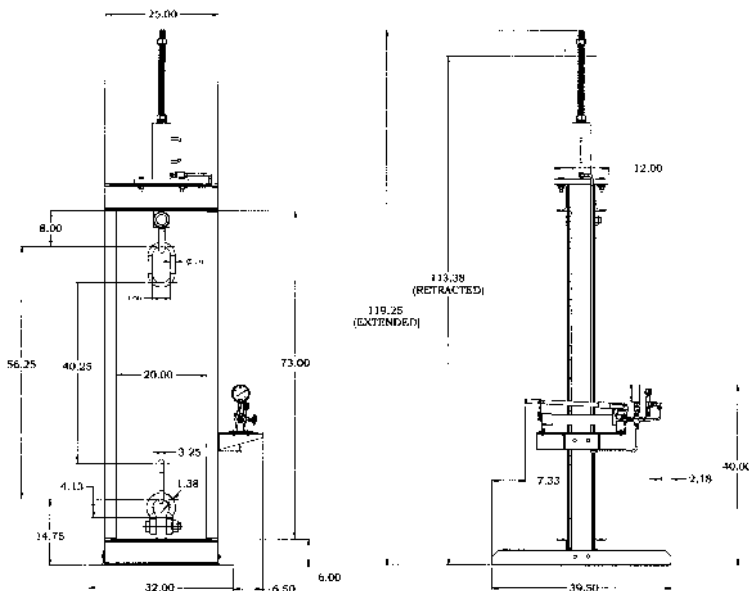
System pressure	• 0 - 6090 p.s.i.
Reservoir	• 1.47 pints
Valve	• Two-stage, fine adjustment pressure preset
Gauge	• Glycerin filled - 3.94 in. dia.

**Frame** • Mounting holes in base for permanent mount

**Total Weight** • 496 lbs.



12 Ton Test Stand  
Product Code 1200



**Front View**

All Dimensions In Inches

**Side View**

All Dimensions In Inches

### \*WARNING

Overloading and improper use can result in injury.

To avoid injury:

- Do not exceed maximum pulling force of 12 tons
- Read and follow all instructions.