

# **SIEVERT**

## **CRANE & HOIST**

### **DIVISION OF SIEVERT ELECTRIC**



Sievert Crane & Hoist is proud to offer customers all over the world a wide range of manufacturers to deliver the best products at the best prices, making Sievert the one stop shop for all your crane & hoist needs. We are the authorized dealers of lifting equipment, parts and accessories for the following (but not limited to):

#### **HOISTS**

Acco Lifting  
Budgit  
Chester  
Coffing  
Columbus McKinnon  
David Round  
Demag  
Detroit  
Electrolift  
Harrington  
Ingersoll-Rand  
Robbins & Myers (R&M)  
Shaw-Box  
Stahl  
Whiting  
Yale

#### **CRANES**

Sievert Crane & Hoist  
Abell Howe  
Acco  
Contrx  
Gorbel Systems  
Handling System  
Harrington  
Robbins & Myers  
Spanco Systems  
Thern Davit Cranes  
Trambeam

#### **ELECTRICAL & CONTROLS**

Conductix  
Drivecon  
Duct-O-Bar  
Electromotive  
Power Electronics  
Remtron  
Telemotive

For all your lifting needs including New Equipment, Parts, Accessories, Refurbishment, Crane Inspection and Service please contact us at:

#### **NEW EQUIPMENT SALES**

1230 S. Hannah Avenue,  
Forest Park, IL 60130  
sales@sievertelectric.com  
Office: (708) 771-1600  
Mobile: (708) 878-2231  
Fax: (708) 405-5180

#### **PARTS**

1230 S. Hannah Avenue,  
Forest Park, IL 60130  
parts@sievertelectric.com  
Office: (708) 771-1600 ext. 647  
Direct: (708) 435-5008  
Fax: (708) 435-5018

#### **SERVICE, REFURB & INSPECTION**

1230 S. Hannah Avenue,  
Forest Park, IL 60130  
service@sievertelectric.com  
Office: (708) 405-5154  
Mobile: (708) 878-2226  
Fax: (708) 405-5174

# Hurricane 360° hand chain hoist

For the ultimate flexibility in a hand chain hoist, the CM Hurricane 360° is the choice for a wide range of applications. The patented hand chain cover rotates a full 360 degrees to allow loads to be lifted, pulled, or positioned from virtually any angle.

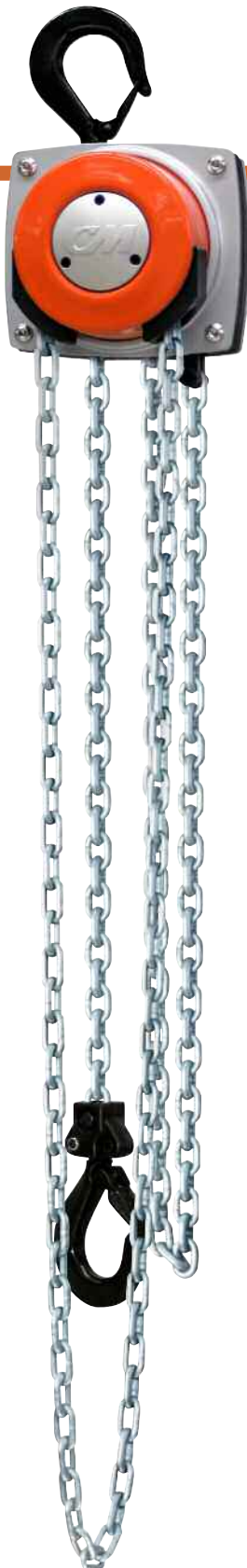
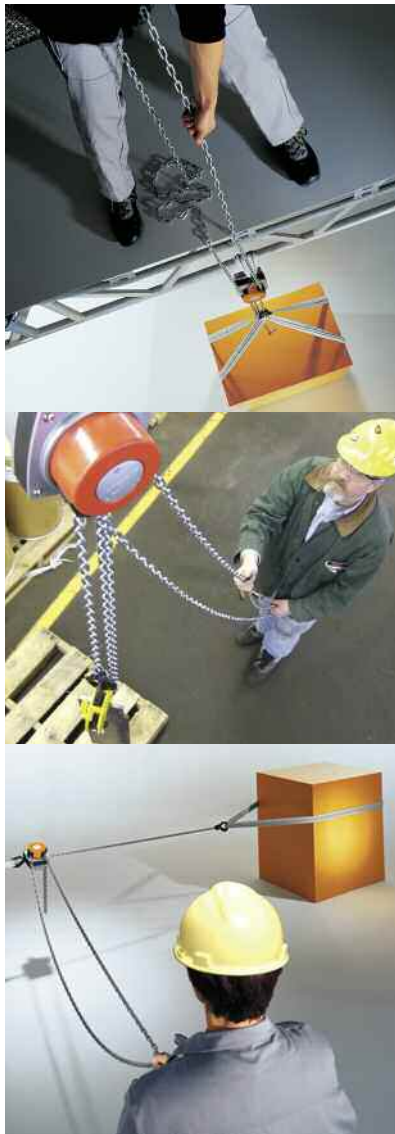
- **Standard Load Limiter** - For simple, automatic overload protection.
- **Braking Power** - Weston-Style braking system provides reliable positive load control.
- **Powder Coated Finish** - For corrosion protection.
- **Heat Treated Steel Gearing** - All internal gears & pinions are heat treated steel for high strength and long life.
- **Chain Guide & Stripper** - Assures load chain alignment.
- **Precision 4-Pocket Liftwheel** - Fully machined for better chain fit and reduced wear allowing for accurate movement of the load chain.
- **Hardened Steel Chain** - Alloy steel load chain assures high strength and long wear life.
- **Minimal Maintenance** - Easily disassembled, requiring no special tools.
- **Meets ASME B30.16** - And European CE Standard
- **5-Year Warranty** - Against defects in materials and workmanship.
- **Fast & Easy Parts Access** - Genuine CM Hurricane 360° parts are available in Total Repair Kits and convenient bulk packaging.



**Sealed Ball Bearings  
and Sliding Bushings**



**Weston-Style  
Brake System**



## \***WARNING**

**Overloading and improper use can result in injury.**

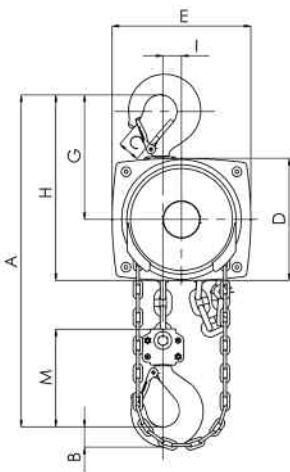
**To avoid injury:**

- Do not exceed working load limit, load rating capacity
- Do not use to lift people or loads over people.
- use only alloy chain for overhead lifting.
- Read and follow all instructions.

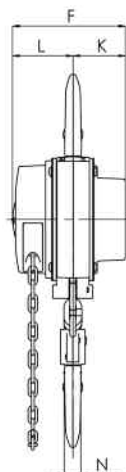
# Hurricane 360<sup>0</sup> hand chain hoist-specifications

## SPECIFICATIONS

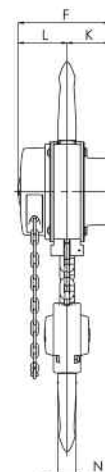
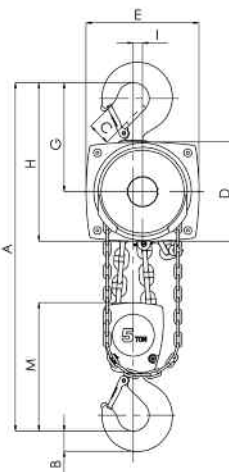
Product Code	Load Rating TONS (kg)	Lift		Net Weight LBS	Hand Chain Pull to Lift Rated Load LBS (kg)	Hand Chain Overhauled to Lift Load One Foot FT (m)	Dimensions in inches (mm)																
		ft	m				A	B	C	D	E	F	G	H	I	K	L	M	N				
5623A		10	3	23																			
5624A	1/2	15	4.5	28	44	30	11.811	0.669	0.945	5.236	5.827	5.827	5.472	8.110	0.945	2.402	3.425	4.331	4.331	0.551			
5625A	(500)	20	6	33	(20)	(9.1)	(300)	(17)	(24)	(133)	(148)	(148)	(139)	(206)	(24)	(61)	(87)	(110)	(110)	(14)			
5651A		30	9	43																			
5626A		10	3	26																			
5627A	1	15	4.5	33	54	49	13.189	0.866	1.142	6.142	6.890	6.575	6.457	9.528	0.945	2.756	3.819	4.921	4.921	0.748			
5628A	(1000)	20	6	41	(24)	(14.9)	(335)	(22)	(29)	(156)	(175)	(167)	(164)	(242)	(24)	(70)	(97)	(125)	(125)	(19)			
5653A		30	9	58																			
5629A		10	3	45																			
5630A	2	15	4.5	48	74	71	15.551	1.181	1.378	7.165	7.992	7.638	7.559	11.142	1.220	3.268	4.370	6.142	6.142	0.866			
5631A	(2000)	20	6	51	(34)	(21.6)	(395)	(30)	(35)	(182)	(203)	(194)	(192)	(283)	(31)	(83)	(111)	(156)	(156)	(22)			
5635A		10	3	68																			
5636A	3	15	4.5	79	92	87	20.472	1.496	1.575	8.661	9.843	8.622	8.858	13.189	1.339	3.740	4.882	7.008	7.008	1.181			
5637A	(3000)	20	6	90	(42)	(26)	(520)	(38)	(40)	(220)	(250)	(219)	(225)	(335)	(34)	(95)	(124)	(178)	(178)	(30)			
5639A		10	3	122																			
5640A	5	15	4.5	142	76	174	25.748	1.772	1.850	8.661	9.843	8.622	9.528	13.858	0.827	3.740	4.882	11.220	11.220	1.457			
5641A	(5000)	20	6	162	(34)	(53)	(654)	(45)	(47)	(220)	(250)	(219)	(242)	(352)	(21)	(95)	(124)	(285)	(285)	(37)			
5643A		10	3	210																			
5644A	10	15	4.5	240	102	261	32.480	2.677	2.677	8.661	15.079	8.622	12.835	17.165	5.354	3.740	4.882	15.787	15.787	1.969			
5645A	(10000)	20	6	270	(46)	(79.3)	(825)	(68)	(68)	(220)	(383)	(219)	(326)	(436)	(136)	(95)	(124)	(401)	(401)	(50)			



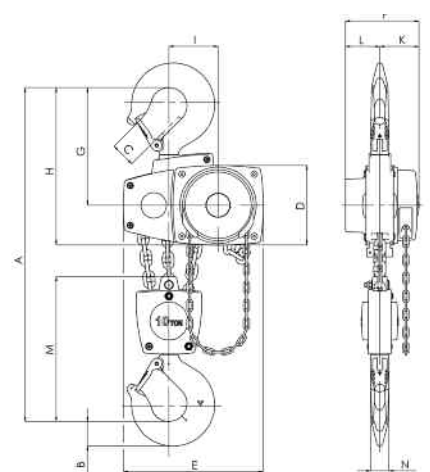
Single Reeved



Double Reeved



Triple Reeved



# Cyclone hand chain hoist

## One of the most popular and reliable hoists ever designed.

- Most interchangeability of parts in the industry
- Standard Load Limiter for simple, automatic overload protection
- Enclosed contoured Weston-type automatic brake for positive load control
- High-efficiency spur gearing for greater lift with minimum effort
- Rugged Hoistaloy chain for added strength and durability
- Fully machined, forged liftwheel pockets for easier lifting and smooth free chaining
- High-strength aluminum alloy castings in frame and covers
- Inspected over 75 times to meet or exceed HMI and ASME/ANSI performance and safety standards
- Standard hand chain drop is 2 feet less than lift, (example: 8 foot lift hoist has 6 foot hand chain drop)
- Lifetime warranty
- Metric rated
- Made in U.S.A.

### Options Include:

- Fabric chain bags
- Metal chain containers
- Zinc-plated load and hand chain
- Unwelded hand chain
- Latchlok hooks
- Bronze hooks
- Bullard hooks
- Eye-type suspension



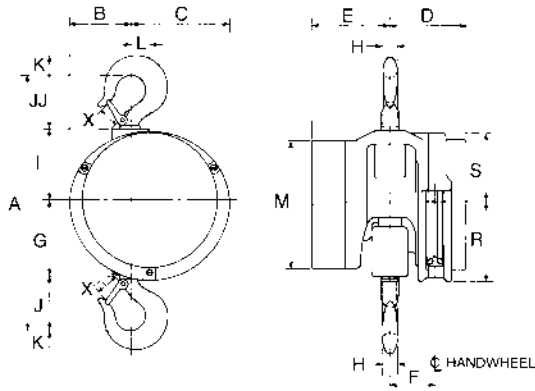
### \***WARNING**

Overloading and improper use can result in injury.

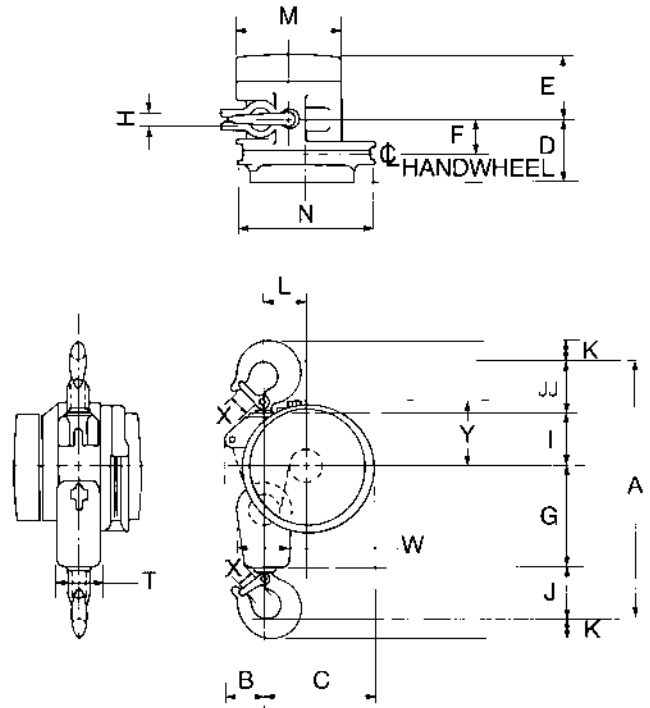
#### To avoid injury:

- Do not exceed working load limit, load rating capacity
- Do not use to lift people or loads over people.
- Use only alloy chain for overhead lifting.
- Read and follow all instructions.

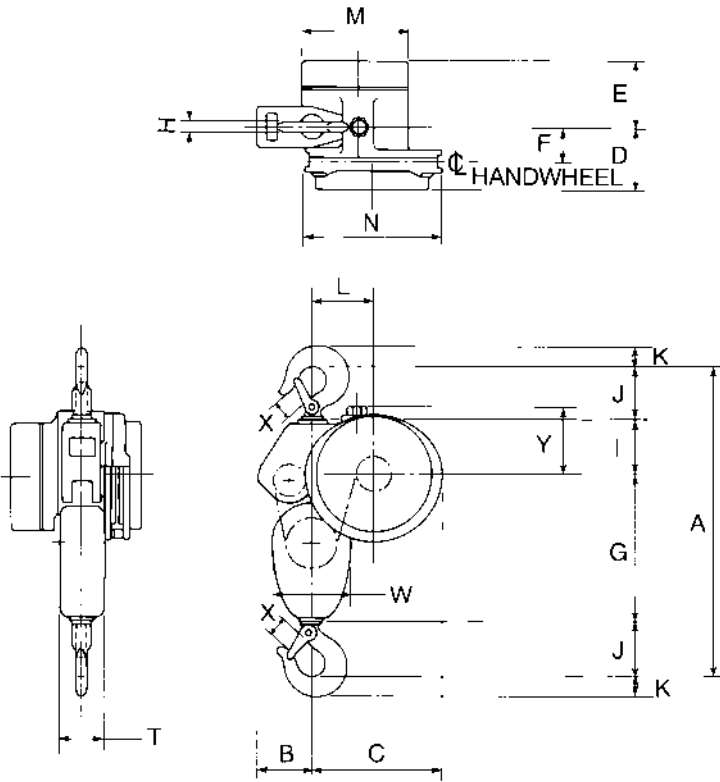
# Cyclone hand chain hoist



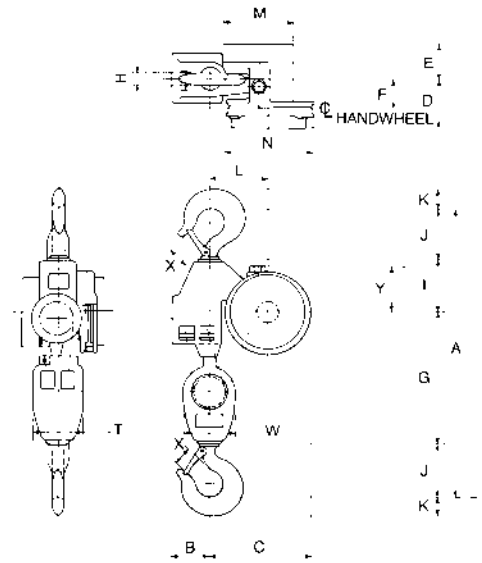
1/4 - 2 ton



3 - 4 ton



5 - 6 ton



8 - 10 ton

# Cyclone hand chain hoist-Specifications

## Specifications

Rated capacity* (tons)	Product code	Standard lift† (ft.)	Reeving	Minimum distance between hooks (in.)	Chain overhauled to lift load one foot (ft.)	Chain pull to lift full load (lbs.)	Shipping weight (lbs.)
1/4	4621	10	1	12 <sup>7</sup> / <sub>8</sub>	22 <sup>1</sup> / <sub>2</sub>	23	40
1/2	4622	10	1	12 <sup>7</sup> / <sub>8</sub>	22 <sup>1</sup> / <sub>2</sub>	46	40
1	4624	10	1	14	30	69	43
1 1/2	4625	10	1	17 <sup>5</sup> / <sub>16</sub>	40 <sup>1</sup> / <sub>2</sub>	80	69
2	4626	10	1	17 <sup>5</sup> / <sub>16</sub>	52	83	68
3	4627	10	2	21 <sup>1</sup> / <sub>2</sub>	81	85	103
4	4628	10	2	21 <sup>1</sup> / <sub>2</sub>	104	88	103
5	4629	10	3	24 <sup>1</sup> / <sub>4</sub>	156	75	138
6	4630	10	3	25 <sup>1</sup> / <sub>4</sub>	156	90	142
8	4631	10	4	34 <sup>1</sup> / <sub>2</sub>	208	89	247
10	4632	10	5	35 <sup>1</sup> / <sub>2</sub>	260	95	250

† Can be supplied with longer lifts

## Clearance dimensions (in.)

Dimension	Rated capacity*(tons)								
	1/4	1/2	1	1 1/2 & 2	3 & 4	5	6	8	10
A	12 <sup>7</sup> / <sub>8</sub>	12 <sup>7</sup> / <sub>8</sub>	14	17 <sup>5</sup> / <sub>16</sub>	21 <sup>1</sup> / <sub>2</sub>	24 <sup>1</sup> / <sub>4</sub>	25 <sup>1</sup> / <sub>4</sub>	34 <sup>1</sup> / <sub>2</sub>	35 <sup>1</sup> / <sub>2</sub>
B	3 <sup>11</sup> / <sub>16</sub>	3 <sup>11</sup> / <sub>16</sub>	3 <sup>1</sup> / <sub>16</sub>	4 <sup>3</sup> / <sub>16</sub>	3 <sup>5</sup> / <sub>16</sub>	4 <sup>3</sup> / <sub>16</sub>	4 <sup>3</sup> / <sub>16</sub>	4 <sup>3</sup> / <sub>4</sub>	4 <sup>3</sup> / <sub>4</sub>
C	7 <sup>3</sup> / <sub>16</sub>	7 <sup>3</sup> / <sub>16</sub>	7 <sup>3</sup> / <sub>16</sub>	6 <sup>11</sup> / <sub>16</sub>	8 <sup>15</sup> / <sub>16</sub>	10 <sup>5</sup> / <sub>16</sub>	10 <sup>5</sup> / <sub>16</sub>	12 <sup>3</sup> / <sub>4</sub>	12 <sup>3</sup> / <sub>4</sub>
D	4 <sup>1</sup> / <sub>8</sub>	4 <sup>1</sup> / <sub>8</sub>	4 <sup>1</sup> / <sub>8</sub>	5 <sup>1</sup> / <sub>16</sub>	5 <sup>1</sup> / <sub>16</sub>	4 <sup>7</sup> / <sub>8</sub>	4 <sup>7</sup> / <sub>8</sub>	5 <sup>13</sup> / <sub>16</sub>	5 <sup>13</sup> / <sub>16</sub>
E	3 <sup>1</sup> / <sub>4</sub>	3 <sup>1</sup> / <sub>4</sub>	3 <sup>1</sup> / <sub>4</sub>	4 <sup>13</sup> / <sub>16</sub>	4 <sup>13</sup> / <sub>16</sub>	5	5	4 <sup>1</sup> / <sub>16</sub>	4 <sup>1</sup> / <sub>16</sub>
F	2 <sup>1</sup> / <sub>16</sub>	2 <sup>1</sup> / <sub>16</sub>	2 <sup>1</sup> / <sub>16</sub>	3 <sup>1</sup> / <sub>8</sub>	3	2 <sup>15</sup> / <sub>16</sub>	2 <sup>15</sup> / <sub>16</sub>	3 <sup>3</sup> / <sub>4</sub>	3 <sup>3</sup> / <sub>4</sub>
G	3 <sup>7</sup> / <sub>8</sub>	3 <sup>7</sup> / <sub>8</sub>	3 <sup>3</sup> / <sub>4</sub>	5 <sup>3</sup> / <sub>16</sub>	8 <sup>1</sup> / <sub>4</sub>	11 <sup>13</sup> / <sub>16</sub>	11 <sup>13</sup> / <sub>16</sub>	17 <sup>3</sup> / <sub>16</sub>	17 <sup>3</sup> / <sub>16</sub>
H	1 <sup>1</sup> / <sub>16</sub>	1 <sup>1</sup> / <sub>16</sub>	1 <sup>3</sup> / <sub>16</sub>	1 <sup>1</sup> / <sub>8</sub>	1 <sup>1</sup> / <sub>4</sub>	1 <sup>1</sup> / <sub>4</sub>	1 <sup>3</sup> / <sub>8</sub>	1 <sup>11</sup> / <sub>16</sub>	1 <sup>13</sup> / <sub>16</sub>
I	3 <sup>3</sup> / <sub>4</sub>	3 <sup>3</sup> / <sub>4</sub>	3 <sup>3</sup> / <sub>4</sub>	4 <sup>13</sup> / <sub>16</sub>	4 <sup>1</sup> / <sub>4</sub>	4 <sup>3</sup> / <sub>16</sub>	4 <sup>3</sup> / <sub>16</sub>	6 <sup>1</sup> / <sub>16</sub>	6 <sup>1</sup> / <sub>16</sub>
J	2 <sup>5</sup> / <sub>8</sub>	2 <sup>5</sup> / <sub>8</sub>	2 <sup>15</sup> / <sub>16</sub>	3 <sup>5</sup> / <sub>8</sub>	4 <sup>1</sup> / <sub>8</sub>	4 <sup>1</sup> / <sub>8</sub>	4 <sup>5</sup> / <sub>8</sub>	5 <sup>5</sup> / <sub>8</sub>	6 <sup>1</sup> / <sub>8</sub>
JJ	2 <sup>5</sup> / <sub>8</sub>	2 <sup>5</sup> / <sub>8</sub>	3 <sup>9</sup> / <sub>16</sub>	3 <sup>11</sup> / <sub>16</sub>	4 <sup>7</sup> / <sub>8</sub>	—	—	—	—
K	1 <sup>5</sup> / <sub>16</sub>	1 <sup>5</sup> / <sub>16</sub>	1 <sup>1</sup> / <sub>8</sub>	1 <sup>1</sup> / <sub>2</sub>	1 <sup>11</sup> / <sub>16</sub>	1 <sup>11</sup> / <sub>16</sub>	1 <sup>7</sup> / <sub>8</sub>	2 <sup>1</sup> / <sub>4</sub>	2 <sup>9</sup> / <sub>16</sub>
L	1 <sup>3</sup> / <sub>4</sub>	1 <sup>3</sup> / <sub>4</sub>	1 <sup>3</sup> / <sub>4</sub>	1 <sup>1</sup> / <sub>4</sub>	3 <sup>1</sup> / <sub>2</sub>	4 <sup>7</sup> / <sub>8</sub>	4 <sup>7</sup> / <sub>8</sub>	7 <sup>5</sup> / <sub>16</sub>	7 <sup>5</sup> / <sub>16</sub>
M	7 <sup>1</sup> / <sub>16</sub>	7 <sup>1</sup> / <sub>16</sub>	7 <sup>1</sup> / <sub>16</sub>	8 <sup>5</sup> / <sub>8</sub>	8 <sup>5</sup> / <sub>8</sub>	8 <sup>5</sup> / <sub>8</sub>	8 <sup>5</sup> / <sub>8</sub>	8 <sup>5</sup> / <sub>8</sub>	8 <sup>5</sup> / <sub>8</sub>
N	—	—	—	—	10 <sup>7</sup> / <sub>8</sub>	10 <sup>7</sup> / <sub>8</sub>	10 <sup>7</sup> / <sub>8</sub>	10 <sup>7</sup> / <sub>8</sub>	10 <sup>7</sup> / <sub>8</sub>
R	5 <sup>7</sup> / <sub>16</sub>	5 <sup>7</sup> / <sub>16</sub>	5 <sup>7</sup> / <sub>16</sub>	5 <sup>7</sup> / <sub>16</sub>	—	—	—	—	—
S	4 <sup>11</sup> / <sub>16</sub>	4 <sup>11</sup> / <sub>16</sub>	4 <sup>11</sup> / <sub>16</sub>	4 <sup>11</sup> / <sub>16</sub>	—	—	—	—	—
T	—	—	—	—	3 <sup>7</sup> / <sub>8</sub>	4	4	6 <sup>3</sup> / <sub>8</sub>	6 <sup>3</sup> / <sub>8</sub>
W	—	—	—	—	4 <sup>1</sup> / <sub>2</sub>	6 <sup>1</sup> / <sub>4</sub>	6 <sup>1</sup> / <sub>4</sub>	6 <sup>7</sup> / <sub>16</sub>	6 <sup>7</sup> / <sub>16</sub>
X	1 <sup>1</sup> / <sub>32</sub>	1 <sup>1</sup> / <sub>32</sub>	1 <sup>1</sup> / <sub>8</sub>	1 <sup>5</sup> / <sub>16</sub>	1 <sup>5</sup> / <sub>8</sub>	1 <sup>5</sup> / <sub>8</sub>	1 <sup>3</sup> / <sub>4</sub>	2 <sup>1</sup> / <sub>16</sub>	2 <sup>5</sup> / <sub>16</sub>
Y	—	—	—	—	5 <sup>1</sup> / <sub>8</sub>	5 <sup>7</sup> / <sub>8</sub>	5 <sup>7</sup> / <sub>8</sub>	5 <sup>9</sup> / <sub>16</sub>	5 <sup>9</sup> / <sub>16</sub>

**\* ⚠ WARNING**

**Overloading and improper use can result in injury.**

**To avoid injury:**

- Do not exceed working load limit, load rating capacity
- Do not use to lift people or loads over people.
- use only alloy chain for overhead lifting.
- Read and follow all instructions.

# Cyclone Army type trolley hoist

Same quality and performance as the Cyclone in a compact, low headroom integral trolley mount. Ideal for applications requiring a moveable hoist including:

- Rugged steel loadbars connected directly to hoist frame
- Reduced headroom, side clearances and end approach for easy maneuvering of heavy loads in tight places
- Standard Load Limiter automatic overload protection
- Plain and geared trolley mounts in capacities from 1/4 to 12 tons
- Universal tread trolley wheels for operation on sloped or flat flanged beams
- Standard hand chain drop 2 feet less than lift (example: 8 foot lift hoist has 6 foot hand chain drop)
- Chain containers, zinc-plated load and hand chain, aluminum unwelded hand chain, Latchlok hooks, bronze hooks, bullard hooks, larger beam trolleys, trolley guards, and units without Load Limiter optional, depending on capacity
- Lifetime warranty
- Metric rated
- Made in U.S.A.



## \* ⚠ WARNING

Overloading and improper use can result in injury.

### To avoid injury:

- Do not exceed working load limit, load rating capacity
- Do not use to lift people or loads over people.
- use only alloy chain for overhead lifting.
- Read and follow all instructions.

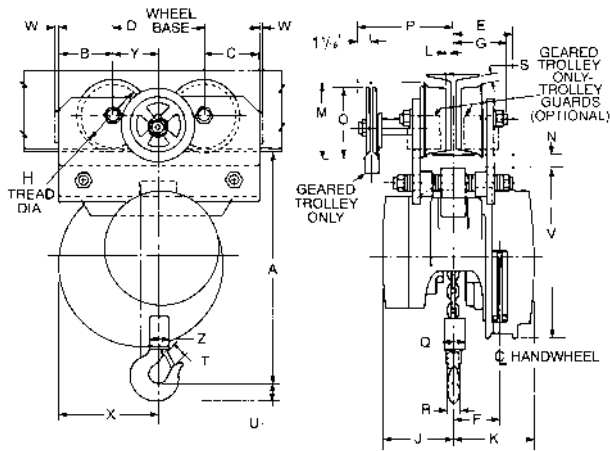
## Specifications

Rated capacity* (tons)	Product code		Standard lift (ft.)	Reeving	American standard depth (in.)†	Beam adjustment ranges flange width (in.)†	Chain pull to lift capacity loads (lbs.)	Chain overhauled to lift load one foot (ft.)	Min. headroom (in.)	Min. radius curve (in.)	Shipping weight (lbs.)	
	Plain trolley	Geared trolley									Plain trolley	Geared trolley
1/4	4521	4541	10	1	4-12**	2 5/8-5 1/2	23	22 1/2	11 3/4	30	68	110
1/2	4522	4542	10	1	4-12**	2 5/8-5 1/2	46	22 1/2	11 3/4	30	68	110
1	4524	4544	10	1	4-12**	2 5/8-5 1/2	69	30	11 3/4	30	81	133
1 1/2	4525	4545	10	1	6-15	3 3/8-5 5/8	80	40 1/2	15 5/16	30	140	168
2	4526	4546	10	1	6-15	3 3/8-5 5/8	83	52	15 5/16	30	140	168
3	4527	4547	10	2	7-15	3 5/8-5 5/8	85	81	18 7/8	48	189	237
4	4528	4548	10	2	7-15	3 5/8-5 5/8	87	104	18 7/8	48	189	237
5	4529	4549	10	3	8-18	4-6 1/4	74	156	23 1/2	60	278	310
6	4530	4550	10	3	8-18	4-6 1/4	89	156	24	60	283	315
8	4531	4551	10	4	12-24	5-8	91	208	28 1/4	72	526	601
10	4532	4552	10	5	12-24	5-8	93	260	28 1/4	72	535	611
12	4533	4553	10	6	15-24	5 1/2-8	95	312	30 3/8	96	1068	1098

\*\* For 1/4 through 1 ton geared trolleys - minimum beam size S6 x 12.5 (3 3/8 flange width)

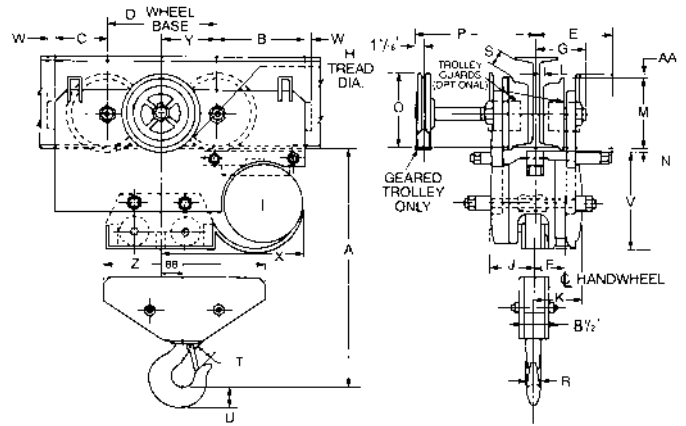
† Universal tread track wheels designed to operate on either sloped or flat flange beam, rails or tracks

# Cyclone Army type trolley hoist-Specifications



1/4 - 6 TON

1/4 - 6 ton



8 - 12 ton

## Clearance dimensions (in.)

Rated capacity\* (tons)

Dimension	1/4, 1/2 & 1		1 1/2 & 2		3 & 4		5		6		8		10		12	
	Plain	Geared	Plain	Geared	Plain	Geared	Plain	Geared	Plain	Geared	Plain	Geared	Plain	Geared	Plain	Geared
A	11 3/4	11 13/16	15 5/16	15 5/16	18 7/8	18 7/8	23 1/2	23 1/2	24	24	28 1/4	28 1/4	28 1/4	28 1/4	30 3/8	30 3/8
B	4 3/16	4 3/8	3 1/16	3 1/16	5 3/4	5 3/4	6 1/2	6 1/2	6 1/2	6 1/2	8 15/16	8 15/16	8 15/16	8 15/16	10 7/8	10 7/8
C	2 9/16	2 9/16	3 1/16	3 1/16	3 7/16	3 7/16	3 3/4	3 3/4	3 3/4	3 3/4	5 1/4	5 1/4	5 1/4	5 1/4	7 3/16	7 3/16
D	6	6	6	6	6 7/8	6 7/8	7 3/4	7 3/4	7 3/4	7 3/4	11	11	11	11	11	11
E	4 1/2	4 15/16	5	5	5 7/16	5 7/16	6 1/8	6 1/8	6 1/8	6 1/8	7 1/4	7 1/4	7 1/4	7 1/4	7 1/4	7 1/4
F	2 1/16	2 1/16	3 1/8	3 1/8	3	3	2 13/16	2 13/16	2 13/16	2 13/16	3	3	3	3	3	3
G	3	3 3/4	3 5/8	3 3/4	4 5/16	4 5/16	4 15/16	4 15/16	4 15/16	4 15/16	5 9/16	5 9/16	5 9/16	5 9/16	5 13/16	5 13/16
H	3 1/8	4	4 3/4	4	5	5	6	6	6	6	8	8	8	8	8	8
J	3 1/4	3 1/4	4 13/16	4 13/16	4 13/16	4 13/16	5	5	5	5	4 13/16	4 13/16	4 13/16	4 13/16	4 13/16	4 13/16
K	4 1/8	4 1/8	5 1/16	5 1/16	5 1/16	5 1/16	4 7/8	4 7/8	4 7/8	4 7/8	5 1/16	5 1/16	5 1/16	5 1/16	5 1/16	5 1/16
L	5/16	5/16	1/2	5/16	1/4	1/4	3/8	3/8	3/8	3/8	1/2	1/2	1/2	1/2	1 1/16	1 1/16
M	4	4 3/4	5 9/16	4 3/4	5 7/8	5 7/8	7	7	7	7	9 7/16	9 7/16	9 7/16	9 7/16	9 1/2	9 1/2
N	1/2	9/16	9/16	9/16	1 1/16	1 1/16	1 1/16	1 1/16	1 1/16	1 1/16	1/2	1/2	1/2	1/2	7/16	7/16
O	-	5 9/16	-	5 9/16	6 1/8	6 1/8	6 3/4	6 3/4	6 3/4	6 3/4	7 9/16	7 9/16	7 9/16	7 9/16	7 3/16	7 3/16
P	-	10	-	10	8 15/16	8 15/16	10 7/16	10 7/16	10 7/16	10 7/16	11 7/16	11 7/16	11 7/16	11 7/16	11 11/16	11 11/16
Q	2	2	2 1/2	2 1/2	3 7/8	3 7/8	4	4	4	4	11 15/16	11 15/16	-	-	-	-
R	1 1/16	1 1/16	1 1/8	1 1/8	1 1/4	1 1/4	1 1/4	1 1/4	1 3/8	1 3/8	1 13/16	1 13/16	1 13/16	1 13/16	2 3/8	2 3/8
S	1/16	15/16	3/16	15/16	15/16	15/16	3/4	3/4	3/4	3/4	2 3/16	2 3/16	2 3/16	2 3/16	5 1/16	5 1/16
T	1	1	1 3/8	1 3/8	1 5/8	1 5/8	1 5/8	1 5/8	1 3/4	1 3/4	2 5/16	2 5/16	2 5/16	2 5/16	3	3
U	7/8	7/8	1 1/8	1 1/8	1 11/16	1 11/16	1 11/16	1 11/16	1 7/8	1 7/8	2 9/16	2 9/16	2 9/16	2 9/16	3	3
V	10 1/8	10 1/8	11 3/8	11 3/8	11 3/8	11 3/8	11 3/8	13/8	11 3/8	11 3/8	11 5/8	11 5/8	11 5/8	11 5/8	11 5/8	11 5/8
W	1/4	3/8	3/8	3/8	1/2	1/2	5/8	5/8	5/8	5/8	5/8	5/8	5/8	5/8	5/8	5/8
X	7 3/16	7 3/16	6 11/16	6 11/16	8 15/16	8 15/16	10 5/16	10 5/16	10 5/16	10 5/16	14 7/16	14 7/16	14 7/16	14 7/16	16 3/8	16 3/8
Y	3	3	3	3	3 7/16	3 7/16	3 7/8	3 7/8	3 7/8	3 7/8	5 1/2	5 1/2	5 1/2	5 1/2	5 1/2	5 1/2
Z	2	2	2 1/2	2 1/2	4 1/2	4 1/2	6 1/4	6 1/4	6 1/4	6 1/4	13 15/16	13 15/16	18 3/16	18 3/16	21 11/16	21 11/16
AA	-	-	-	-	-	-	-	-	-	-	3/8	3/8	3/8	3/8	3/8	3/8
BB	-	-	-	-	-	-	-	-	-	-	1 15/16	1 15/16	0	0	0	0

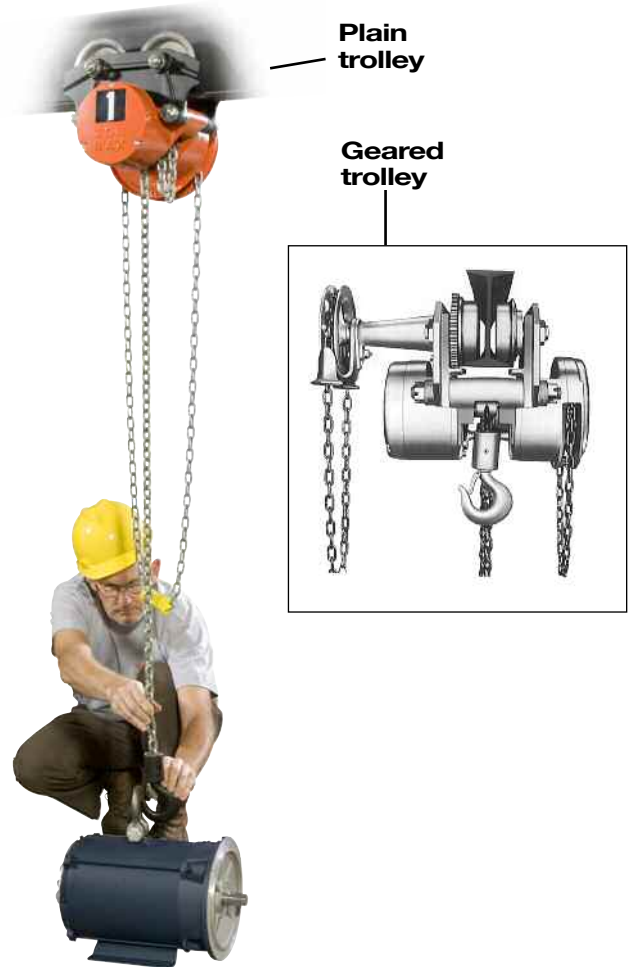
Note: Dimensions are based on minimum beam and may vary with larger beams.



# Cyclone trolley hoist for low headroom

**Cyclone and trolley all in one unit for low headroom applications features:**

- Crowned tread and flanged wheels to minimize rolling friction
- Simple, efficient design
- Reduced headroom, side clearances and end approach for easy maneuvering of loads in tight places
- Plain trolley mounts in capacities from 1/2 to 6 tons
- Geared trolley mounts in capacities from 1 1/2 to 6 tons
- Standard hand chain drop 2 feet less than lift (example: 8 foot lift hoist has 6 foot hand chain drop)
- Chain containers, zinc-plated load and hand chain, aluminum unwelded hand chain, Latchlok hooks, bronze hooks, bullard hooks, larger beam trolleys, trolley guards and units without Load Limiter optional, depending on capacity
- Standard Load Limiter/automatic overload protection
- Lifetime warranty
- Metric rated
- Made in U.S.A.



## Specifications

Rated capacity* (tons)	Product code		Std. lift (ft.)	Reeving	American standard depth (in.)††	Beam adjustment ranges flange width (in.)††	Chain pull to lift full load (lbs.)	Chain overhauled to lift one foot (ft.)	Min. headroom (in.)	Min. radius curve (in.)	Shipping weight (lbs.)	
	Plain trolley	Geared trolley									Plain trolley	Geared trolley
1/2	4832	—	10	1	6-12**†	3 <sup>3</sup> / <sub>8</sub> -5	46	22 <sup>1</sup> / <sub>2</sub>	8 <sup>7</sup> / <sub>8</sub>	36	91	—
1	4834	—	10	1	6-12**†	3 <sup>3</sup> / <sub>8</sub> -5	69	30	9 <sup>1</sup> / <sub>4</sub>	36	96	—
1 1/2	4835	4925	10	1	7-15**†	3 <sup>5</sup> / <sub>8</sub> -5 <sup>1</sup> / <sub>2</sub>	80	40 <sup>1</sup> / <sub>2</sub>	12 <sup>1</sup> / <sub>2</sub>	48	190	214
2	4836	4926	10	1	7-15†	3 <sup>5</sup> / <sub>8</sub> -5 <sup>1</sup> / <sub>2</sub>	83	52	12 <sup>1</sup> / <sub>2</sub>	48	190	220
3	4837	4927	10	2	7-15†	3 <sup>5</sup> / <sub>8</sub> -5 <sup>1</sup> / <sub>2</sub>	85	81	14 <sup>1</sup> / <sub>8</sub>	48	210	240
4	4838	4928	10	2	8-24†	4-7	88	104	16 <sup>3</sup> / <sub>4</sub>	96	315	379
5	4839	4929	10	3	8-24†	4-7	75	156	18 <sup>1</sup> / <sub>4</sub>	96	338	360
6	4840	4930	10	3	8-24†	4-7	90	156	18 <sup>3</sup> / <sub>4</sub>	96	387	357

\*\* 1/2 and 1 ton also available for 4" and 5" S-beam, and 1 1/2 and 2 ton for 6" S-beam without extra charge

† Universal tread trackwheels designed to operate on either sloped or flat flange beams, rails, or tracks Also can be used on flat flange beams within the same range of flange widths, provided beam depth will accommodate wheel diameter (check clearance diagram)

†† Applies to minimum size S-beam within adjustability range

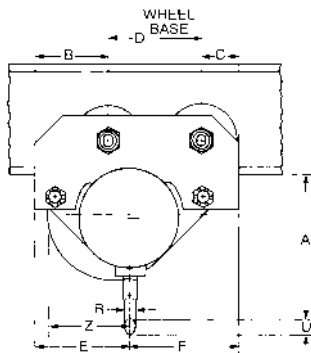
## \*WARNING

**Overloading and improper use can result in injury.**

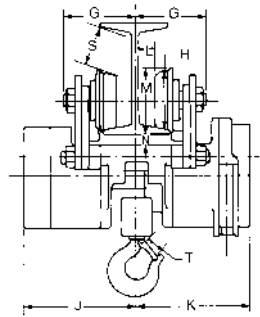
### To avoid injury:

- Do not exceed working load limit, load rating capacity
- Do not use to lift people or loads over people.
- use only alloy chain for overhead lifting.
- Read and follow all instructions.

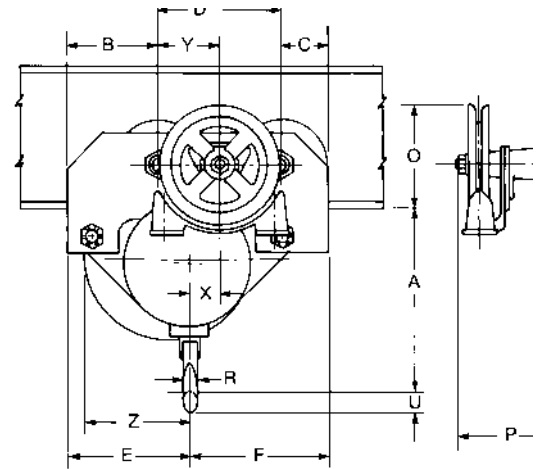
## Cyclone trolley hoist for low headroom-Specifications



**Plain trolley**



**Geared trolley**



### Clearance dimensions (in.)

Dimension	Rated capacity* (tons)							
	1/2	1	1 1/2 & 2	3	4	5	6	
A	8 7/8	9 1/4	12 1/2	14 1/8	16 3/4	18 1/4	18 3/4	
B	3 5/8	3 5/8	6	6	7 3/8	7 3/8	7 3/8	
C	3 5/8	3 5/8	3 1/8	3 1/8	4	4	4	
D	6 1/2	6 1/2	7 3/4	7 3/4	9	9	9	
E	6 7/8	6 3/4	7 5/8	10 1/2	11	11 7/8	11 7/8	
F	6 3/4	6 7/8	9 1/4	6 3/8	9 3/8	8 1/2	8 1/2	
G	3 3/4	3 3/4	5 1/8	5 1/8	5 7/8	5 7/8	5 7/8	
H	4 3/4	4 3/4	4 5/8	4 5/8	5 7/8	5 7/8	5 7/8	
J	6	6	9 5/16	9 5/16	10 9/16	10 9/16	10 9/16	
K	8 1/8	8 1/8	9 5/8	9 5/8	11	11	11	
L	1/2	1/2	1/2	1/2	1/2	1/2	1/2	
M	5 7/16	5 7/16	5 3/8	5 3/8	6 3/4	6 3/4	6 3/4	
N	1	1	1	1	1 1/8	1 1/8	1 1/8	
O	—	—	6 3/4	6 3/4	6 1/2	6 1/2	6 1/2	
P	—	—	4 7/8	4 7/8	4 1/4	4 1/4	4 1/4	
R	1 1/16	1 3/16	1 1/8	1 1/4	1 1/4	1 1/4	1 3/8	
S	5/16	5/16	1 3/8	1 3/8	1 1/16	1 1/16	1 1/16	
T	1 1/32	1 1/8	1 5/16	1 5/8	1 5/8	1 5/8	1 3/4	
U	1 5/16	1 1/8	1 1/2	1 11/16	1 11/16	1 11/16	1 7/8	
W	—	—	5 5/8	5 5/8	7	7	7	
X	—	—	2 1/4	5/8	7/8	—	—	
Y	—	—	3 7/8	3 7/8	4 1/2	4 1/2	4 1/2	
Z	7 3/8	7 1/4	6 5/8	9 1/2	9 1/2	10 3/8	10 3/8	

Note: Dimensions G, L, M, O, P, S & W are shown for minimum S-beam and increase proportionally for larger beams. Dimension N is shown for minimum S-beam and decreases proportionally for larger beams.

# Series 622 hand chain hoist

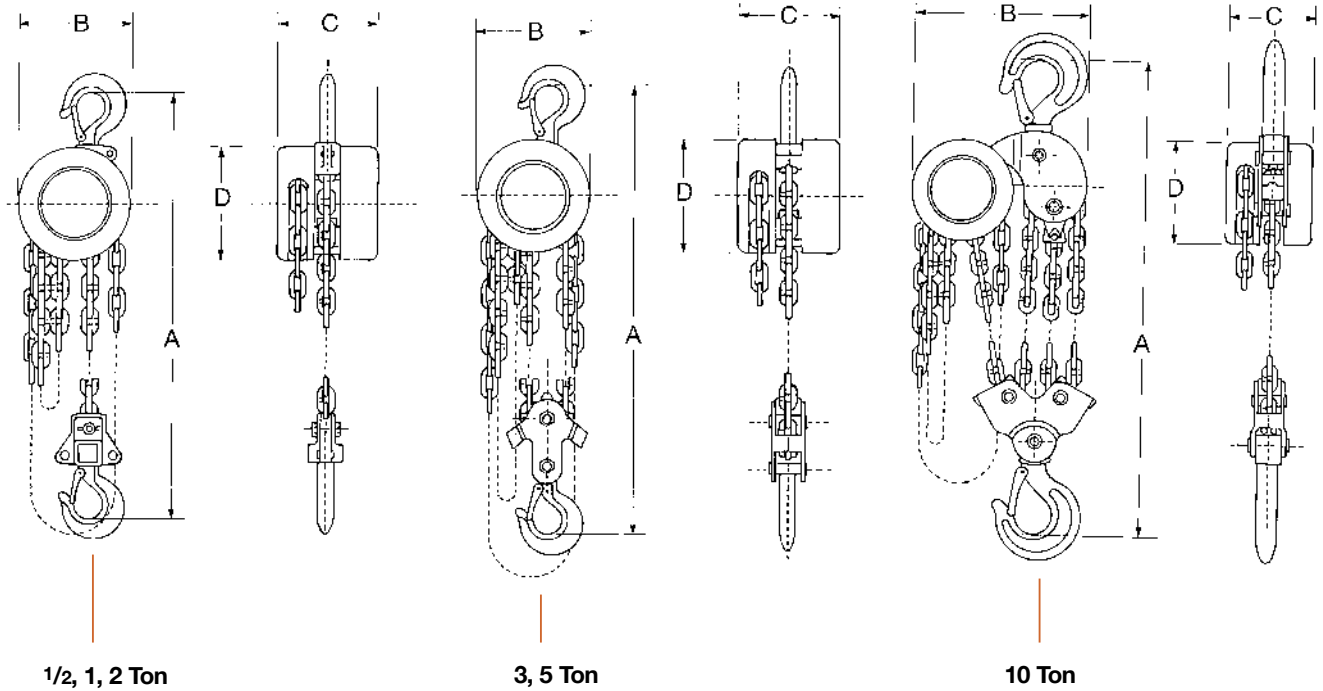
- Simple, efficient, economical design
- Equipped with hardened load chain for flexibility and long wear
- Compact design, low headroom and lightweight steel construction for easy installation, even in confined spaces
- Weston-type load brake requires no lubrication
- Hand wheel cover with guide slots minimizes jamming and slipping
- Forged swivel hooks with latches reduce twisting of chain and unintentional unhooking of load when chain is slack
- Standard hand chain drop is 2 feet less than lift (example: 8 foot lift hoist has 6 foot hand chain drop)
- One-year warranty
- Metric rated
- Imported



## Specifications

Product code	Rated capacity* (tons)	Standard lift (ft.)	Chain pull to lift rated load (lbs.)	Hand chain overhauled to lift load one foot (ft.)	Approx. shipping weight (lbs.)
2255	1/2	10	53	29	18
2208	1/2	15	53	29	25
2231	1/2	20	53	29	30
2263	1/2	30	53	29	38
2256	1	10	77	37	26
2210	1	15	77	37	30
2262	1	20	77	37	38
2264	1	30	77	37	48
2258	2	10	82	80	61
2213	2	15	82	80	71
2233	2	20	82	80	80
2272	2	30	85	80	85
2259	3	10	65	154	89
2223	3	15	65	154	99
2214	3	20	65	154	109
2260	5	10	105	147	91
2257	5	15	105	147	107
2234	5	20	105	147	123
2277	10	10	109	289	170

## Series 622 hand chain hoist-specifications



**\*WARNING**

**Overloading and improper use can result in injury.**

**To avoid injury:**

- Do not exceed working load limit, load rating capacity
- Do not use to lift people or loads over people.
- use only alloy chain for overhead lifting.
- Read and follow all instructions.

### Clearance dimensions (in.)

Dimension	Rated capacity* (tons)					
	1/2	1	2	3	5	10
A (Headroom)	11 <sup>5</sup> / <sub>8</sub>	13	18 <sup>1</sup> / <sub>8</sub>	21 <sup>29</sup> / <sub>32</sub>	23 <sup>7</sup> / <sub>8</sub>	27 <sup>9</sup> / <sub>16</sub>
B (Width)	4 <sup>15</sup> / <sub>16</sub>	5 <sup>19</sup> / <sub>32</sub>	8 <sup>5</sup> / <sub>16</sub>	8 <sup>5</sup> / <sub>16</sub>	8 <sup>5</sup> / <sub>16</sub>	14 <sup>3</sup> / <sub>32</sub>
C (Depth)	4 <sup>5</sup> / <sub>16</sub>	5 <sup>1</sup> / <sub>16</sub>	6 <sup>5</sup> / <sub>8</sub>	6 <sup>5</sup> / <sub>8</sub>	6 <sup>5</sup> / <sub>8</sub>	6 <sup>5</sup> / <sub>8</sub>
D (Diameter)	4 <sup>15</sup> / <sub>16</sub>	5 <sup>19</sup> / <sub>32</sub>	8 <sup>5</sup> / <sub>16</sub>	8 <sup>5</sup> / <sub>16</sub>	8 <sup>5</sup> / <sub>16</sub>	8 <sup>5</sup> / <sub>16</sub>
Hook opening (upper)	1 <sup>1</sup> / <sub>16</sub>	1 <sup>1</sup> / <sub>32</sub>	1 <sup>1</sup> / <sub>4</sub>	5 <sup>1</sup> / <sub>16</sub>	1 <sup>13</sup> / <sub>16</sub>	2 <sup>1</sup> / <sub>2</sub>
Hook opening (lower)	1 <sup>1</sup> / <sub>16</sub>	1 <sup>1</sup> / <sub>32</sub>	1 <sup>1</sup> / <sub>4</sub>	5 <sup>1</sup> / <sub>16</sub>	1 <sup>13</sup> / <sub>16</sub>	2 <sup>1</sup> / <sub>2</sub>