

SIEVERT

CRANE & HOIST

DIVISION OF SIEVERT ELECTRIC



Sievert Crane & Hoist is proud to offer customers all over the world a wide range of manufacturers to deliver the best products at the best prices, making Sievert the one stop shop for all your crane & hoist needs. We are the authorized dealers of lifting equipment, parts and accessories for the following (but not limited to):

HOISTS

Acco Lifting
Budgit
Chester
Coffing
Columbus McKinnon
David Round
Demag
Detroit
Electrolift
Harrington
Ingersoll-Rand
Robbins & Myers (R&M)
Shaw-Box
Stahl
Whiting
Yale

CRANES

Sievert Crane & Hoist
Abell Howe
Acco
Contrx
Gorbel Systems
Handling System
Harrington
Robbins & Myers
Spanco Systems
Thern Davit Cranes
Trambeam

ELECTRICAL & CONTROLS

Conductix
Drivecon
Duct-O-Bar
Electromotive
Power Electronics
Remtron
Telemotive

For all your lifting needs including New Equipment, Parts, Accessories, Refurbishment, Crane Inspection and Service please contact us at:

NEW EQUIPMENT SALES

1230 S. Hannah Avenue,
Forest Park, IL 60130
sales@sievertelectric.com
Office: (708) 771-1600
Mobile: (708) 878-2231
Fax: (708) 405-5180

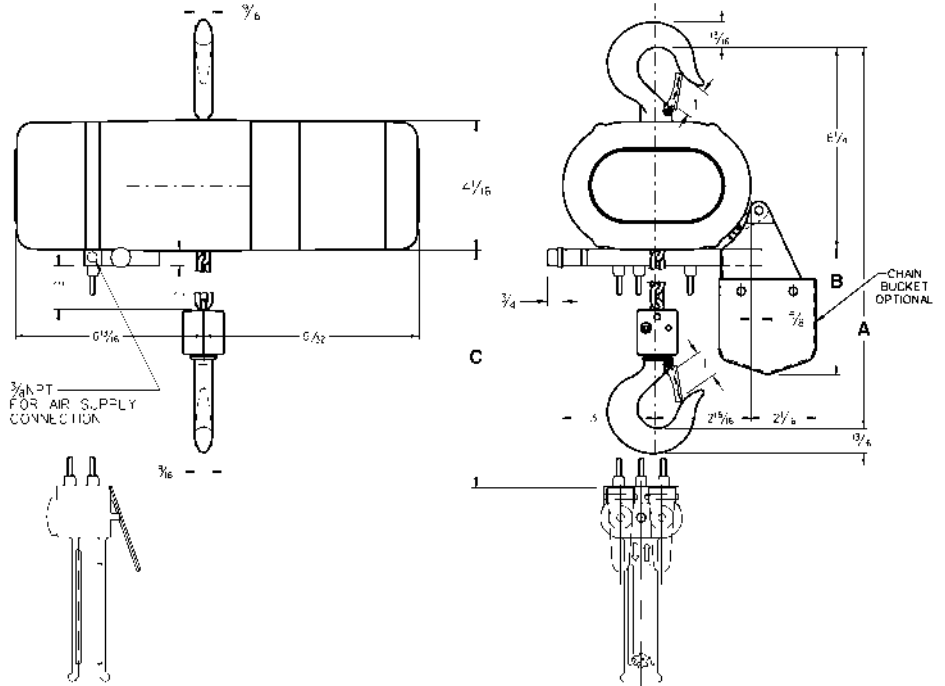
PARTS

1230 S. Hannah Avenue,
Forest Park, IL 60130
parts@sievertelectric.com
Office: (708) 771-1600 ext. 647
Direct: (708) 435-5008
Fax: (708) 435-5018

SERVICE, REFURB & INSPECTION

1230 S. Hannah Avenue,
Forest Park, IL 60130
service@sievertelectric.com
Office: (708) 405-5154
Mobile: (708) 878-2226
Fax: (708) 405-5174

ShopAir™ air chain hoist



Specifications

Product code	Cap. (lbs.)	(in.)			Number of load chains	Speed FPM (under full load)		Shipping weight (lbs.)
		A	B	*C		lifting	lowering	
2178	250	10 ⁷ / ₈	3 ⁷ / ₈	6' 4"	1	31	83	30
2180	300	10 ⁷ / ₈	3 ⁷ / ₈	6' 4"	1	31	83	30
2182	500	10 ⁷ / ₈	3 ⁷ / ₈	6' 4"	1	21	75	30
2179	500	11 ¹⁵ / ₁₆	5 ³ / ₄	6' 4"	2	16	42	34
2181	600	11 ¹⁵ / ₁₆	5 ³ / ₄	6' 4"	2	16	42	34
2183	1,000	11 ¹⁵ / ₁₆	5 ³ / ₄	6' 4"	2	11	38	34

300 Lb. model shown with optional chain container

*WARNING

Overloading and improper use can result in injury.

To avoid injury:

- Do not exceed working load limit, load rating capacity
- Do not use to lift people or loads over people.
- use only alloy chain for overhead lifting.
- Read and follow all instructions.

AirStar chain hoist

The CM AirStar now boasts a longer service life and superior air leak protection. Design enhancements, including upgrades to the control manifold and air seals, give the AirStar best-in-class performance even for the most demanding applications.

With capacities from 1/4 to 1 Ton, this variable speed air chain hoist is compact, lightweight and ideal for heavy duty industrial and workstation duties.

CAPACITIES & LIFT

Capacities from 1/4 to 1 Ton. Metric Rated. 10 feet standard lift. Other lifts available.

LOW OPERATING COSTS

Air consumption rate is just 48 CFM, which means lower operating costs.

FAST LIFTING SPEEDS

As fast as 45 FPM lifting and 120 FPM lowering on the 1/2 Ton unit.

PORTABLE & RUGGED

Aluminum frame and end-cover makes it lightweight and a rugged design.

BUILT TO LAST

Hoistaloy® load chain for heavy duty, or stainless steel chain for spark resistant and medium duty loads.

SECURE & RELIABLE

Positive action, heavy-duty shoe type brake that stops and holds the load. Limit stops prevent over-travel when lifting and lowering.

EASY TO HANDLE

Inlet air swivel with built-in strainer provides free hoist movement.

EXTERNAL BRAKE ADJUSTMENT

Allows for quick adjustment of brake responsiveness and sensitivity for exceptional load positioning and control.

SMOOTH OPERATION

Multi-vane rotary air motor for high torque and smooth operation.

Equa-torque gearing (heat treated alloy steel spur gears) are accurately machined to provide a close meshed, compact gear reduction.

PENDANT THROTTLE OR PULL CORD CONTROL

Ergonomic pendant throttle control features fast pendant-to-hook reaction time and one-handed operation.

SPECIAL APPLICATIONS

Tapped exhaust port (1/2 NPTF) for cleanroom applications or add a supplemental muffler for even quieter operation.

METAL CHAIN CONTAINER STANDARD

FLEXIBILITY

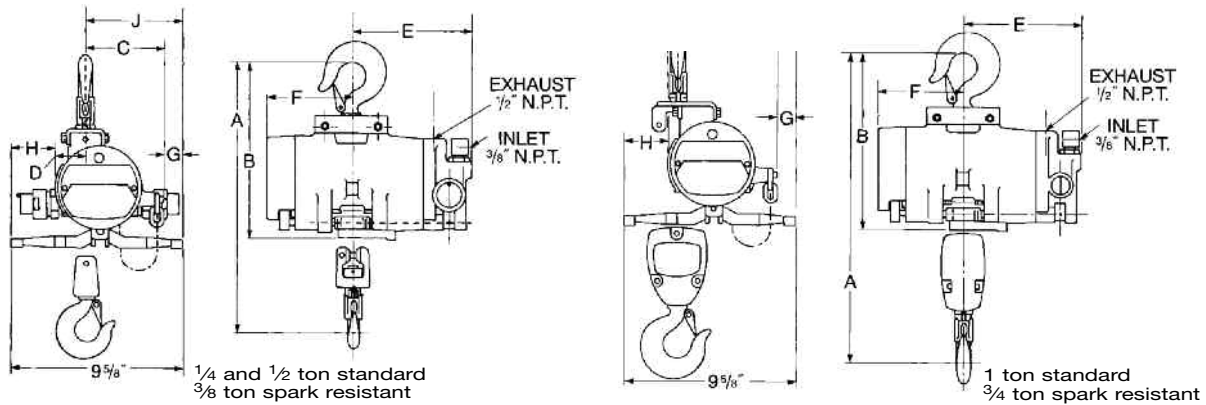
Hook or lug suspension available.

SPARK-RESISTANT

Spark resistant models available for hazardous environments.



AirStar with hook suspension-Specifications



Clearance dimensions (in.)

Rated capacity* (tons)	Product code	A	B	C	D	E	F	G	H	J
1/4	7400A	15 1/4	10 1/4	4 3/4	1 3/4	7 1/16	5 1/16	15/16	2 3/16	5 11/16
1/4	7400B	15 1/4	10 1/4	4 3/4	1 3/4	7 1/16	5 1/16	15/16	2 3/16	5 11/16
1/4	7400C	15 1/4	10 1/4	4 3/4	1 3/4	7 1/16	5 1/16	15/16	2 3/16	5 11/16
1/4	7400D	15 1/4	10 1/4	4 3/4	1 3/4	7 1/16	5 1/16	15/16	2 3/16	5 11/16
1/2	7401A	15 1/4	10 1/4	4 3/4	1 3/4	7 1/16	5 1/16	15/16	2 3/16	5 11/16
1/2	7401B	15 1/4	10 1/4	4 3/4	1 3/4	7 1/16	5 1/16	15/16	2 3/16	5 11/16
1/2	7401C	15 1/4	10 1/4	4 3/4	1 3/4	7 1/16	5 1/16	15/16	2 3/16	5 11/16
1/2	7401D	15 1/4	10 1/4	4 3/4	1 3/4	7 1/16	5 1/16	15/16	2 3/16	5 11/16
3/8	7403A	15 1/4	10 1/4	4 3/4	1 3/4	7 1/16	5 1/16	15/16	2 3/16	5 11/16
3/8	7403B	15 1/4	10 1/4	4 3/4	1 3/4	7 1/16	5 1/16	15/16	2 3/16	5 11/16
1	7402A	18	10 1/4	5 3/4	3/4	7 1/16	5 1/16	15/16	2 3/16	6 11/16
1	7402B	18	10 1/4	5 3/4	3/4	7 1/16	5 1/16	15/16	2 3/16	6 11/16
1	7402C	18	10 1/4	5 3/4	3/4	7 1/16	5 1/16	15/16	2 3/16	6 11/16
1	7402D	18	10 1/4	5 3/4	3/4	7 1/16	5 1/16	15/16	2 3/16	6 11/16
3/4	7404A	18	10 1/4	5 3/4	3/4	7 1/16	5 1/16	15/16	2 3/16	6 11/16
3/4	7404B	18	10 1/4	5 3/4	3/4	7 1/16	5 1/16	15/16	2 3/16	6 11/16

Specifications

Type	Rated capacity* (tons)	Pull cord control		Pendant throttle control**		Reeving	Lifting speed max.† (F.P.M.)	Lowering speed max.† (F.P.M.)
		Product code no.	Net wt. (lbs.)	Product code no.	Net wt. (lbs.)			
Standard models								
Roller chain	1/4	7400A	37	7400B	47	1	65	95
	1/2	7401A	37	7401B	47	1	45	120
	1	7402A	51	7402B	61	2	23	60
Link chain	1/4	7400C	36	7400D	46	1	65	95
	1/2	7401C	36	7401D	46	1	45	120
	1	7402C	49	7402D	59	2	23	60
Spark resistant models								
Link chain	3/8	7403A	36	7403B	46	1	60	100
	3/4	7404A	49	7404B	59	2	29	52

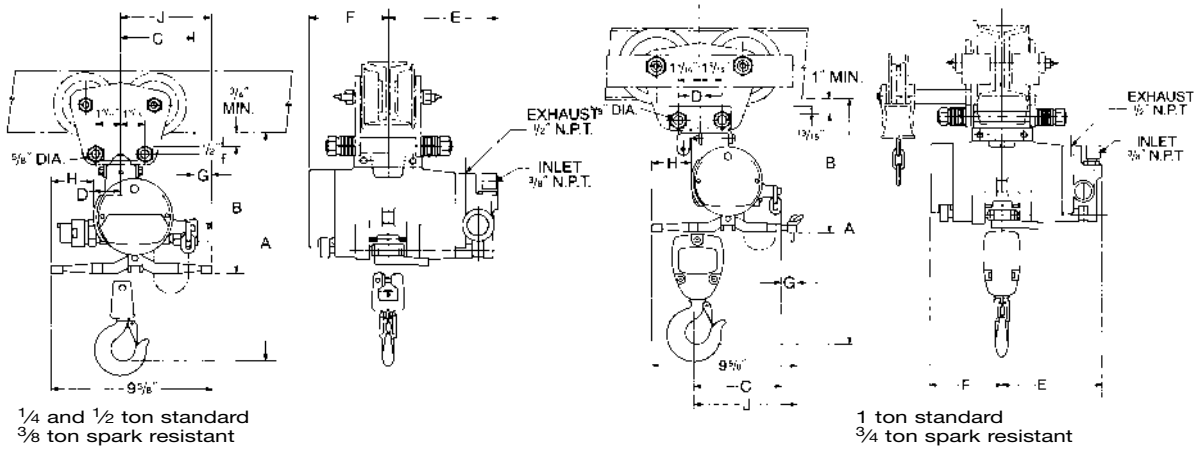
**Equipped with 6 ft. pendant control.

† Speeds based on 90 PSI line pressure and with full rated hoist load.

Hoist speeds are adjustable and can be reduced to 50% of full rated speed. Shipped from factory with hoisting speed set at maximum rated speed; lowering speed set at reduced speed.

Standard lift 10 feet. Longer lifts available.

AirStar with lug suspension-Specifications



Clearance dimensions (in.)

Rated capacity* (tons)	Product code	A	B	C	D	E	F	G	H	J
1/4	7400F	13 7/8	8 1/8	4 3/4	1 3/4	7 1/16	5 1/16	15/16	2 3/16	5 11/16
1/4	7400G	13 7/8	8 1/8	4 3/4	1 3/4	7 1/16	5 1/16	15/16	2 3/16	5 11/16
1/2	7401F	13 7/8	8 1/8	4 3/4	1 3/4	7 1/16	5 1/16	15/16	2 3/16	5 11/16
1/2	7401G	13 7/8	8 1/8	4 3/4	1 3/4	7 1/16	5 1/16	15/16	2 3/16	5 11/16
3/8	7403C	13 7/8	8 1/8	4 3/4	1 3/4	7 1/16	5 1/16	15/16	2 3/16	5 11/16
3/8	7403D	13 7/8	8 1/8	4 3/4	1 3/4	7 1/16	5 1/16	15/16	2 3/16	5 11/16
1	7402F	17	8 1/4	5 3/4	3/4	7 1/16	5 1/16	15/16	2 3/16	6 11/16
1	7402G	17	8 1/4	5 3/4	3/4	7 1/16	5 1/16	15/16	2 3/16	6 11/16
3/4	7404C	17	8 1/4	5 3/4	3/4	7 1/16	5 1/16	15/16	2 3/16	6 11/16
3/4	7404D	17	8 1/4	5 3/4	3/4	7 1/16	5 1/16	15/16	2 3/16	6 11/16

Specifications

Type	Rated capacity* (tons)	Pull cord control		Pendant throttle control**		Reeving	Lifting speed max. † (F.P.M.)	Lowering speed max. † (F.P.M.)
		Product code no.	Net wt. (lbs.)	Product code no.	Net wt. (lbs.)			
Standard models								
Link chain	1/4	7400F	36	7400G	46	1	65	95
	1/2	7401F	36	7401G	46	1	45	120
	1	7402F	49	7402G	59	2	23	60
Spark resistant models								
Link chain	3/8	7403C	36	7403D	46	1	60	100
	3/4	7404C	49	7404D	59	2	29	52

**Equipped with 6 ft. pendant control.

† Speeds based on 90 PSI line pressure and with full rated hoist load.

Hoist speeds are adjustable and can be reduced to 50% of full rated speed. Shipped from factory with hoisting speed set at maximum rated speed; lowering speed set at reduced speed.

Standard lift 10 feet. Longer lifts available.

Spark Resistant Models

Spark resistant models offer maximum protection in hazardous environments. Components for spark resistance include bronze alloy hooks, stainless steel hook latches, non-magnetic chrome-nickel stainless steel load chain, modified load sprocket, guide and stripper arrangement and lower blocks of stainless steel for the 3/8-ton single line model and anodized aluminum body on the 3/4-ton two part reeved model.

The spark resistant models have capacities derated. The stainless steel load chain is lower strength and not as hard as the standard alloy steel load chain, thereby requiring reduced capacity ratings on these models.

Warning: The equipment illustrated here is not designed or suitable as a power source for lifting or lowering persons. Exceeding rated capacity is dangerous and can result in injury to persons and damage property.

AirStar 6 air hoist

Designed for general industrial applications where variable speed pneumatic power is preferable. Rated for loads of up to 3 tons. This compact, lightweight hoist features:

- Hoist alloy load chain for heavy duty or stainless steel chain for spark resistant, medium duty loads
- Lightweight aluminum frame and cover
- Positive action, spring biased Weston-type load brake holds the load, provides exacting load spotting and control
- Multi-vane rotary air motor with eight vanes for high torque, smooth operation, positive starting
- Precision cut heat treated helical and spur gear combination for quiet, efficient operation
- Pendant throttle handle is full flow design for precision throttle capabilities
- Spark resistant models available for hazardous environments
- Hook or lug suspension available
- Standard overload protector device
- Internal Muffler—reduces sound level
- Throttle Valve—precision throttle valves meter the air for smooth operation
- Chain container optional
- Lifetime warranty
- Metric rated
- Made in U.S.A.

Basic Hoist Data

Rated Loads: 1, 2, and 3-ton (Spark resistant models are rated at 1/2, 1 and 2 ton)

Air Pressure

Recommended: 90 PSI

Air Consumption: 70 SCFM (full load-full speed) slow speed model 80 SCFM (full load-full speed) fast speed model

Pendant Control Hose: 6 foot pendant hose standard for 10 foot lift hoist, longer hose assemblies up to 36 foot available.

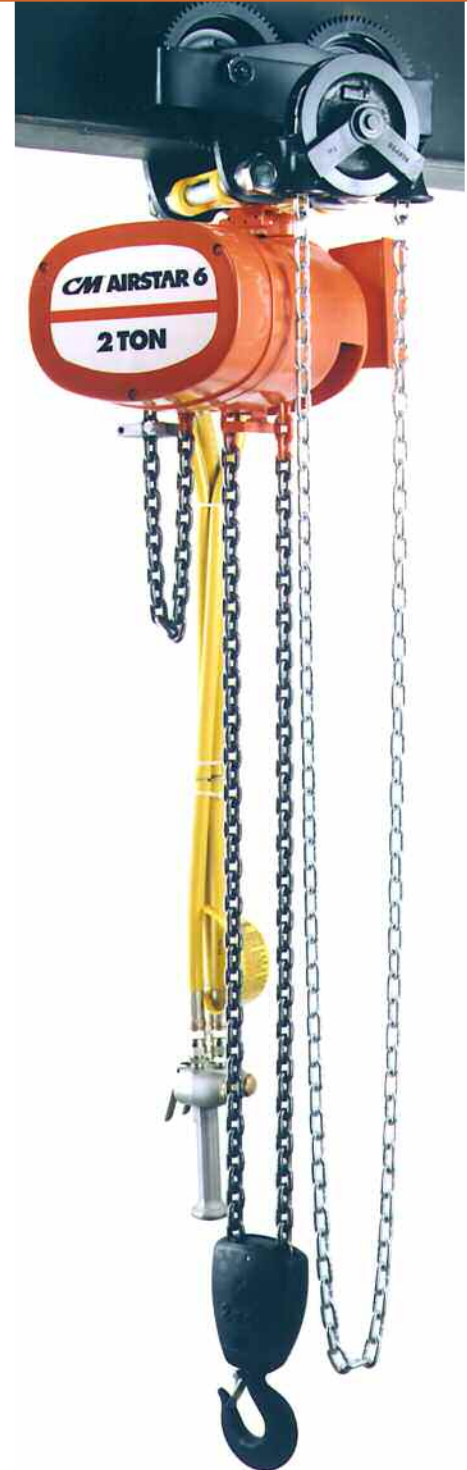
Lift: 10 foot lifts are standard. Longer lifts are an optional extra.

Net Wt. (Basic Hoist): 100 pounds

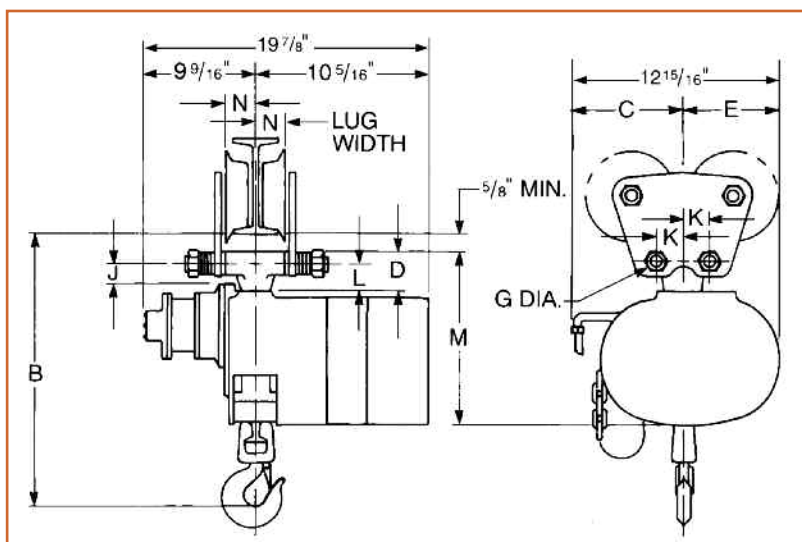
Suspension: Hook or lug

Air Inlet Size: 3/4 NPTF

Air Supply Hose Size: 3/4 I.D. min.



AirStar 6 with lug suspension



Clearance dimensions (in.)

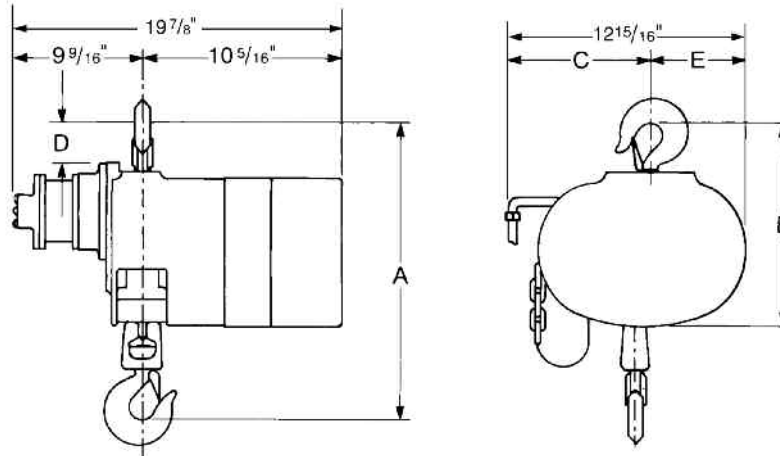
Rated capacity* (tons)	Product code	B	C	D	E	J	K	L	M	N	G
1/2	7408B	16 1/4	6 3/4	2	6 3/16	7/8	1 9/16	1 5/16	9 15/16	1 13/16	5/8
1	7405C	16 1/16	6 3/4	2	6 3/16	7/8	1 9/16	1 5/16	9 15/16	1 13/16	5/8
1	7405D	16 1/16	6 3/4	2	6 3/16	7/8	1 9/16	1 5/16	9 15/16	1 13/16	5/8
1	7409B	21 3/8	8 1/16	2 13/16	4 7/8	1 1/2	2 1/2	1 15/16	10 11/16	2 3/16	1
2	7406C	19 3/4	8 1/16	2 13/16	4 7/8	1 1/2	2 1/2	1 15/16	10 11/16	2 3/16	1
2	7406D	19 3/4	8 1/16	2 13/16	4 7/8	1 1/2	2 1/2	1 15/16	10 11/16	2 3/16	1
2	7410B	25	5 13/16	4 5/8	7 1/8	2 15/16	3	3 3/8	12 7/8	3	1 1/4
3	7407C	23 3/4	5 13/16	4 5/8	7 1/8	2 15/16	3	3 3/8	12 7/8	3	1 1/4
3	7407D	23 3/4	5 13/16	4 5/8	7 1/8	2 15/16	3	3 3/8	12 7/8	3	1 1/4

Specifications

Model	Rated capacity* (tons)	Product code	Reeving	Full load hoist speed** (F.P.M.)	Full load lowering speed** (F.P.M.)	Approx. net weight (lbs.)
Standard model	1	7405C	1	13	18	106
	1	7405D	1	30	42	108
	2	7406C	2	6	9	116
	2	7406D	2	15	21	118
	3	7407C	3	4	6	164
	3	7407D	3	10	14	166
Spark resistant model	1/2	7408B	1	16	22	110
	1	7409B	2	8	11	120
	2	7410B	3	5	7	170

**Hoist speeds based on 90 PSI line pressure with full load at full throttle.

AirStar 6 with hook suspension-Specifications



MODEL TMM-140

Clearance dimensions (in.)

Rated capacity* (tons)	Product code	A	B	C	D	E
1/2	7408A	16 3/4	11 1/16	6 3/4	2 11/16	6 3/16
1	7405A	16 3/4	11 1/16	6 3/4	2 11/16	6 3/16
1	7405B	16 3/4	11 1/16	6 3/4	2 11/16	6 3/16
1	7409A	22 7/8	12 13/16	8 1/16	4 7/16	4 7/8
2	7406A	22 7/8	12 13/16	8 1/16	4 7/16	4 7/8
2	7406B	22 7/8	12 13/16	8 1/16	4 7/16	4 7/8
2	7410A	25 7/8	14 3/8	5 13/16	5 5/8	7 1/8
3	7407A	25 7/8	14 3/8	5 13/16	5 5/8	7 1/8
3	7407B	25 7/8	14 3/8	5 13/16	5 5/8	7 1/8

Specifications

Model	Rated capacity* (tons)	Product code	Reeving	Full load hoist speed** (F.P.M.)	Full load lowering speed** (F.P.M.)	Approximate net weight (lbs.)
Standard model	1	7405A	1	13	18	93
	1	7405B	1	30	42	95
	2	7406A	2	6	9	110
	2	7406B	2	15	21	112
	3	7407A	3	4	6	144
	3	7407B	3	10	14	146
Spark resistant model	1/2	7408A	1	16	22	95
	1	7409A	2	8	11	112
	2	7410A	3	5	7	146

**Hoist speeds based on 90 PSI line pressure with full load at full throttle.

TMM-140 Air Manipulator Hoist

300 Lb./140Kg Air Manipulator Hoist

The CM TMM-140 is ideal for workstation applications. Lightweight and portable, the unit weighs less than 20 pounds and operates at 100% (A5) duty cycle.

- **Smooth operator** - Efficient rotary vane motor provides high uniform torque for quick response, and smooth, quiet operation.
- **Easy to use** - Handle-mounted pendant control for one-handed operation and load positioning.
- **Variable speeds** - Precise and infinite speed control for accurate load spotting.
- **Wire rope design** - Self-winding lifting cable stores conveniently inside unit.
- **Suspension** - Swivel top and bottom hooks with hook latches standard, for portability and quick installation.
- **Disc brake** - Secures load and eliminates drift when pendant is released.
- **Note** - A 3/8" NPT air filter-regulator-lubricator is needed for effective operation. Spark resistant features are not available.

Ideal Applications Include:

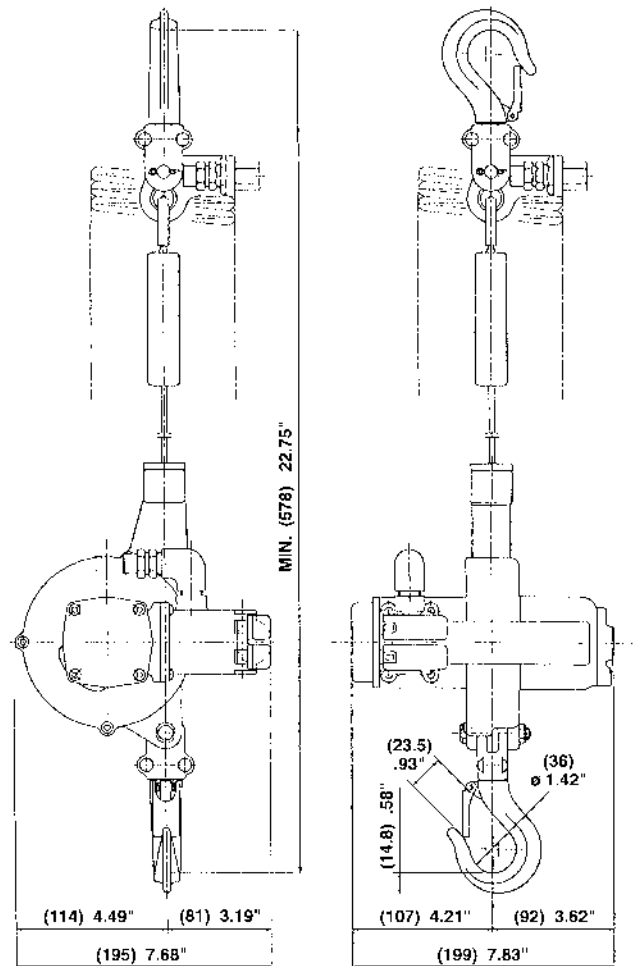
- Assembly lines
- Machine shops
- Cleaning and/or dipping operations
- Manufacturing plants
- Power generating stations
- Shipping departments
- Chemical facilities
- Fabricating shops
- Repetitive lifting applications
- Auto and truck repair
- Handling fixtures and dies

***WARNING**

Overloading and improper use can result in injury.

To avoid injury:

- Do not exceed working load limit, load rating capacity
- Do not use to lift people or loads over people.
- use only alloy chain for overhead lifting.
- Read and follow all instructions.



Specifications:

Capacity (lb.)	Model number	Product code	Std. lift (ft.)	Lift speeds (FPM)				Air consumption		Headroom (in.)	Housing dimen. (in.)			Max air pres. (psi)	Net wt. (lb.)
				Load (up)	(Down)	No load (up)	(Down)	(m ³ /min)	(ft ³ /min)		D	W	L		
300	TMM-140	17050W	6' 6"	36	59	49	39	0.6	2 1/2	22 3/4	7 2/3	7 7/8	23 3/4	70-95	18.7

NOTE: Dimensions in parenthesis are in millimeters, other dimensions in inches. Top and bottom hook dimensions are the same.