

SIEVERT

CRANE & HOIST

DIVISION OF SIEVERT ELECTRIC



Sievert Crane & Hoist is proud to offer customers all over the world a wide range of manufacturers to deliver the best products at the best prices, making Sievert the one stop shop for all your crane & hoist needs. We are the authorized dealers of lifting equipment, parts and accessories for the following (but not limited to):

HOISTS

Acco Lifting
Budgit
Chester
Coffing
Columbus McKinnon
David Round
Demag
Detroit
Electrolift
Harrington
Ingersoll-Rand
Robbins & Myers (R&M)
Shaw-Box
Stahl
Whiting
Yale

CRANES

Sievert Crane & Hoist
Abell Howe
Acco
Contrx
Gorbel Systems
Handling System
Harrington
Robbins & Myers
Spanco Systems
Thern Davit Cranes
Trambeam

ELECTRICAL & CONTROLS

Conductix
Drivecon
Duct-O-Bar
Electromotive
Power Electronics
Remtron
Telemotive

For all your lifting needs including New Equipment, Parts, Accessories, Refurbishment, Crane Inspection and Service please contact us at:

NEW EQUIPMENT SALES

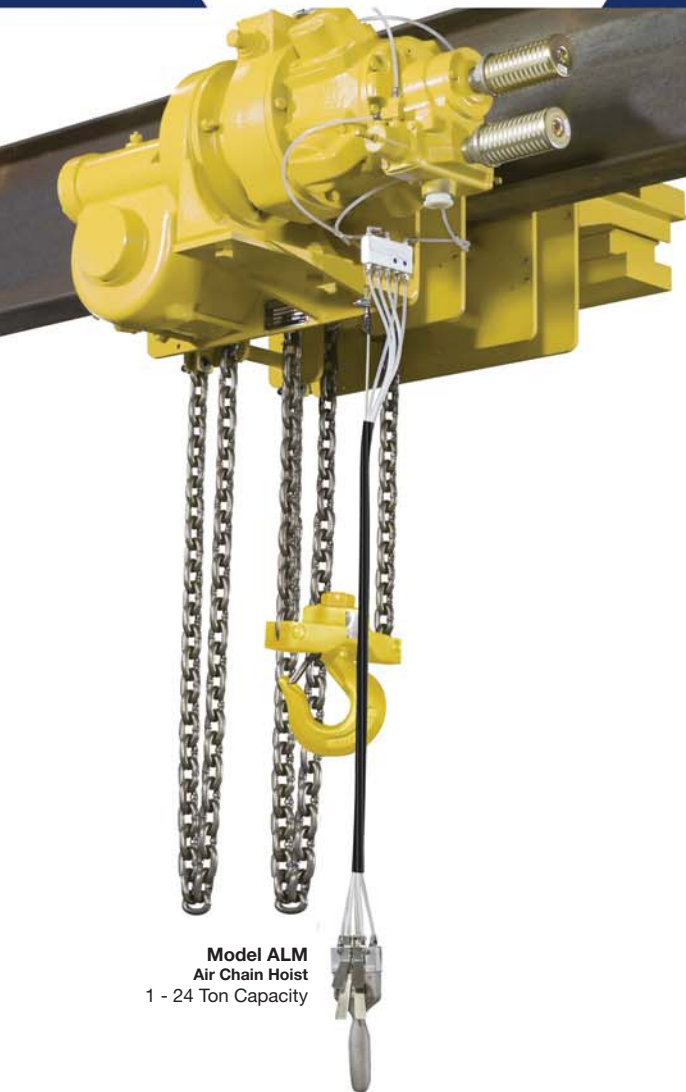
1230 S. Hannah Avenue,
Forest Park, IL 60130
sales@sievertelectric.com
Office: (708) 771-1600
Mobile: (708) 878-2231
Fax: (708) 405-5180

PARTS

1230 S. Hannah Avenue,
Forest Park, IL 60130
parts@sievertelectric.com
Office: (708) 771-1600 ext. 647
Direct: (708) 435-5008
Fax: (708) 435-5018

SERVICE, REFURB & INSPECTION

1230 S. Hannah Avenue,
Forest Park, IL 60130
service@sievertelectric.com
Office: (708) 405-5154
Mobile: (708) 878-2226
Fax: (708) 405-5174



Model ALM
Air Chain Hoist
1 - 24 Ton Capacity

Pneumatic Chain Hoist

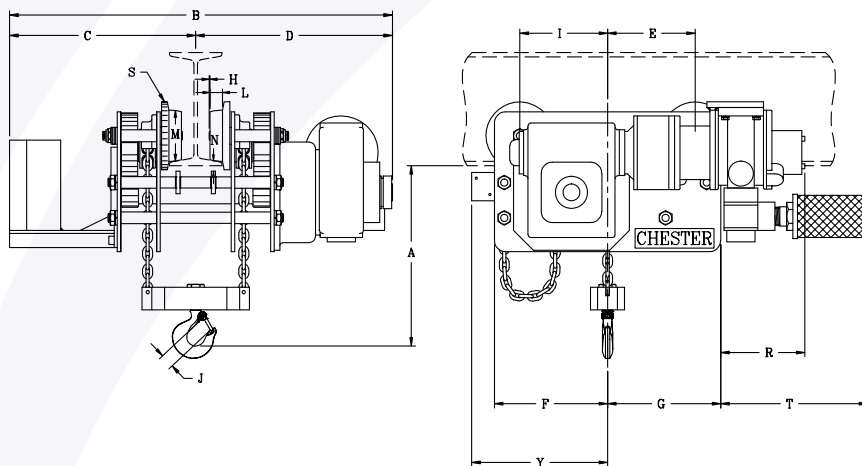
- **CAPACITIES & LIFT** - Rated loads 1 ton to 24 tons with standard lift of 10 feet.
- **ULTRA-LOW HEADROOM** - Design allows this hoist to operate in extreme low overhead locations where most other “low headroom” hoists can’t.
- **COMPACT DESIGN** - Integral hoist/trolley design provides compact overall envelope dimensions.
- **STRONG AND DURABLE** - Steel construction to withstand harsh environments.
- **HOISTING CONTROL** - Pilot air control permits variable speed hoisting and trolley traverse.
- **LIMIT SWITCH** - Redundant limit switches for upper and lower hook travel.
- **TROLLEY** - Plain, hand geared, or motor driven trolley models featuring anti-tilt rollers.
- **CUSTOM FIT** - Can be made to fit virtually any beam.
- **EASY INSTALLATION** - Unique design allows easy installation on closed end monorail beam.
- **OPTIONS** - Spark resistant packages, corrosion resistant finishes, swivel trolleys for curved monorails, e-stop on control pendant, chain container, rubber trolley bumpers and anti-drop lugs.

SPECIFICATIONS

1 - 24 Ton

Catalog Number			Rated Capacity in Short Tons	Standard Lift (ft.)	*Minimum Radius Curve	Minimum Distance from Bottom of I-Beam to Hook	Nominal Hoist Speed (FPM)	CFM @ 90 PSI	Net Weight, Lbs.		
Plain	Hand Geared	Motorized							Plain	Hand Geared	Motorized
ALP-1	ALG-1	ALM-1	1	10	6'6"	7"	10	265	480	510	560
ALP-1 1/2	ALG-1 1/2	ALM-1 1/2	1 1/2	10	6'6"	7"	10	265	480	510	560
ALP-2	ALG-2	ALM-2	2	10	6'6"	7"	10	265	480	510	560
ALP-3	ALG-3	ALM-3	3	10	6'6"	8"	5	265	580	610	660
ALP-4	ALG-4	ALM-4	4	10	7'6"	8 1/2"	5	265	580	610	660
ALP-5	ALG-5	ALM-5	5	10	8'6"	9 1/2"	7	350	1640	1700	1680
ALP-6	ALG-6	ALM-6	6	10	8'6"	9 1/2"	7	350	1640	1700	1680
ALP-8	ALG-8	ALM-8	8	10	9'6"	12"	4	350	1710	1840	1770
ALP-10	ALG-10	ALM-10	10	10	10'	12 1/2"	3.5	350	2090	2170	2150
ALP-12	ALG-12	ALM-12	12	10	*	12 1/2"	3.5	350	2090	2170	2150
ALP-16	ALG-16	ALM-16	16	10	*	14 1/2"	2	350	2660	2740	2720
ALP-20	ALG-20	ALM-20	20	10	*	18"	1.7	350	3010	3170	3120
ALP-24	ALG-24	ALM-24	24	10	*	18"	1.7	350	3010	3170	3120

* Please consult the factory



Minimum Radius Curve

Capacity	Minimum Radius Curve
1 1/2 - 2 Ton	6' 6"
3 - 4 Ton	6' 6"
5 - 6 Ton	8' 6"
8 Ton	9' 6"
10 Ton	10' 0"

For over 10 Ton, straight track operations is recommended.

Curve radius must be specified on orders.

Curves less than minimum radius may be fitted upon application.

CLEARANCE DIMENSIONS

PLAIN OR GEARED

Capacity	A	B	C	D	E	I	F	G	H***
Ton	in.	in.	in.	in.	in.	in.	in.	in.	in.
1	7	35 5/8	16 1/2	19 1/8	7 3/4	7 3/4	10	10	1/16
1 1/2	7	35 5/8	16 1/2	19 1/8	7 3/4	7 3/4	10	10	1/16
2	7	35 5/8	16 1/2	19 1/8	7 3/4	7 3/4	10	10	1/16
3	8	35 5/8	16 1/2	19 1/8	9	9	13	13	1/4
4	8	35 5/8	16 1/2	19 1/8	9	9	13	13	1/4
5	9 1/2	48 5/32	23 1/2	24 21/32	7 3/8	7 3/8	12	15	0
6	9 1/2	48 5/32	23 1/2	24 21/32	7 3/8	7 3/8	12	15	0
8	12	48 5/32	23 1/2	24 21/32	8 3/8	8 7/8	14	13 1/2	3/16
10	12 1/2	48 5/32	23 1/2	24 21/32	8 1/2	9 3/4	15 5/8	14 3/8	3/8
12	12 1/2	48 5/32	23 1/2	24 21/32	8 1/2	9 3/4	15 5/8	14 3/8	3/8
16	14 1/2	53 7/32	25 1/2	27 23/32	11 7/8	11 7/8	18 5/8	18 5/8	3/8
20	18	53 7/32	25 1/2	27 23/32	12 1/8	12 1/8	19 1/4	19	3/8
24	18	53 7/32	25 1/2	27 23/32	12 1/8	12 1/8	19 1/4	19	3/8

Capacity	J	L	M	N	P*	R	S	T**	Z
Ton	in.	in.	in.	in.	in.	in.	in.	in.	in.
1	1 1/8	1 1/8	4 1/2	7/8	6"l@12.5#	5 1/4	6	15	15
1 1/2	1 1/8	1 1/8	4 1/2	7/8	6"l@12.5#	5 1/4	6	15	15
2	1 1/8	1 1/8	4 1/2	7/8	6"l@12.5#	5 1/4	6	15	15
3	1 11/32	1 11/32	6 3/8	15/16	8"l@18.4#	5 3/16	8	10 1/2	12
4	1 11/16	1 11/32	6 3/8	15/16	8"l@18.4#	5 3/16	8	10 1/2	12
5	1 11/16	1 13/32	7 3/16	1 1/8	10"l@25.4#		9 3/8	20 7/16	
6	1 11/16	1 13/32	7 3/16	1 1/8	10"l@25.4#		9 3/8	20 7/16	
8	2 1/16	1 11/16	8 1/4	1	10"l@25.4#		10	20 11/16	
10	2 1/4	1 3/4	9 3/4	1 1/8	12"l@31.8#		11 11/16	18 5/8	
12	2 1/4	1 3/4	9 3/4	1 1/8	12"l@31.8#		11 11/16	18 5/8	
16	3	2	11 3/4	1 1/8	15"l@42.9#		14 13/32	10 3/4	
20	3 5/8	2	11 3/4	1 3/16	18"l@54.7#		14 13/32	11 1/8	
24	3 5/8	2	11 3/4	1 3/16	18"l@54.7#		14 13/32	11 1/8	

P* - Minimum standard I-beam for proper wheel running clearance only. Customers must verify their beam is adequate for the applied loading.

H*** - From the face of wheel to the end of the axle.

T** - For standard motor and brake only. Hoists are designed for H-3 duty.

CHESTER HOIST

A Columbus McKinnon Brand
Lisbon, OH
(330) 424-7248 • FAX (330) 424-6607
Email: sales@chesterhoist.com
www.chesterhoist.com



CHE-ALH
SS 2.5M 0609 MU
Printed in USA
©2009 CMCO