

# **SIEVERT**

## **CRANE & HOIST**

### **DIVISION OF SIEVERT ELECTRIC**



Sievert Crane & Hoist is proud to offer customers all over the world a wide range of manufacturers to deliver the best products at the best prices, making Sievert the one stop shop for all your crane & hoist needs. We are the authorized dealers of lifting equipment, parts and accessories for the following (but not limited to):

#### **HOISTS**

Acco Lifting  
Budgit  
Chester  
Coffing  
Columbus McKinnon  
David Round  
Demag  
Detroit  
Electrolift  
Harrington  
Ingersoll-Rand  
Robbins & Myers (R&M)  
Shaw-Box  
Stahl  
Whiting  
Yale

#### **CRANES**

Sievert Crane & Hoist  
Abell Howe  
Acco  
Contrx  
Gorbel Systems  
Handling System  
Harrington  
Robbins & Myers  
Spanco Systems  
Thern Davit Cranes  
Trambeam

#### **ELECTRICAL & CONTROLS**

Conductix  
Drivecon  
Duct-O-Bar  
Electromotive  
Power Electronics  
Remtron  
Telemotive

For all your lifting needs including New Equipment, Parts, Accessories, Refurbishment, Crane Inspection and Service please contact us at:

#### **NEW EQUIPMENT SALES**

1230 S. Hannah Avenue,  
Forest Park, IL 60130  
sales@sievertelectric.com  
Office: (708) 771-1600  
Mobile: (708) 878-2231  
Fax: (708) 405-5180

#### **PARTS**

1230 S. Hannah Avenue,  
Forest Park, IL 60130  
parts@sievertelectric.com  
Office: (708) 771-1600 ext. 647  
Direct: (708) 435-5008  
Fax: (708) 435-5018

#### **SERVICE, REFURB & INSPECTION**

1230 S. Hannah Avenue,  
Forest Park, IL 60130  
service@sievertelectric.com  
Office: (708) 405-5154  
Mobile: (708) 878-2226  
Fax: (708) 405-5174

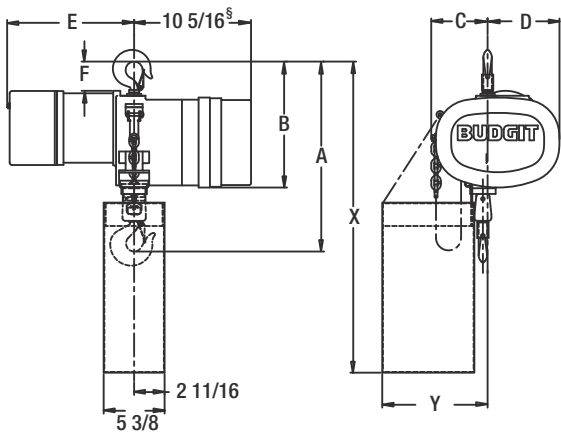
# Hook & Lug Mounted Hoists



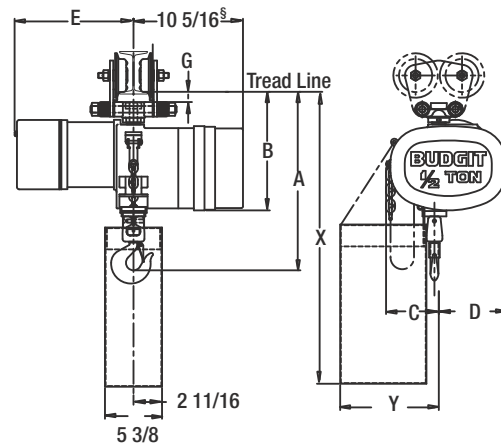
- Single speed standard. Optional 2-speed or variable frequency control available for precision load spotting.
- Heavy duty AC spring set motor brake with easy 1-step adjustment procedure.
- Gearing totally enclosed in oil-bath lubrication for long life.
- High-torque H4 rated heavy duty motor with Class 'F' insulation with thermal actuated switches embedded in the motor winding for protection from overheating
- Weatherproof NEMA-4X enclosed push-button control station specially contoured for operator comfort allowing easy one-handed sure grip control.
- Paddle type upper & lower control limit switch.
- Powder coat finish provides long lasting durable finish and added resistance to corrosive environments.
- Manguard overload protection prevents lifting excessive loads.
- Choice of either hook suspension permitting portability of the hoist or lug suspension which reduces valuable headroom.
- All hoists are built in compliance to ASME/ANSI B30.16 & CSA standards, ISO certified and NEC electrical codes.



## Hook Mount



## Lug Mount



§ This dimension becomes 11-5/16" for 2-speed and 2-1/2 Hp models only

## Specifications & Dimensions

Capacity tons	Hoist Catalog #	Lift Speed FPM	Motor H.P.	Parts of Chain	Net Weight lbs	A		B		C	D	E** Max.	F	G	X***		Y
						Hook in	Lug in	Hook in	Lug in						Hook in	Lug in	
1/4	BEHC2516	16	1/4*	1	77	16-3/4	16-13/16	11-1/8	11-3/16	5	6-5/16	14-1/4	2-9/16	15/16	27-1/2	27-5/8	9-1/2
	BEHC2532	32	1/2		80												
	BEHC2564	64	1		77												
1/2	BEHC5016	16	1/2	1	80	16-3/4	16-13/16	11-1/8	11-3/16	5	6-5/16	14-1/4	2-9/16	15/16	27-1/2	27-5/8	9-1/2
	BEHC5032	32	1		81												
1	BEHC0108	8	1/2	1	88	17-1/2	17-3/8	11-7/16	11-3/8	5-1/8	6-5/16	14-1/4	2-15/16	1-1/8	27-7/8	27-3/4	9-1/2
	BEHC0116	16	1		89												
	BEHC0132	32	2-1/2		95												
2	BEHC0204	4	1/2	2	110	23	22-1/16	13-1/8	12-3/16	6-3/8	5-1/16	14-1/4	4-9/16	1-1/16	33-1/2	32-5/8	10-3/4
	BEHC0208	8	1		111												
	BEHC0216	16	2-1/2		112												
3	BEHC0305	5	1	3	136	25-7/8	26-5/16	14-3/8	14-7/8	7-7/8	7-1/8	14-1/4	5-7/8	2	38-7/8	39-1/4	12-1/4
	BEHC0310	10	2-1/2		146												

\* Two speed hoist has a 1/2 H.P. motor

\*\* Maximum length between one & two speed model hoists. Consult factory for exact dimensions.

\*\*\* Dimensions based on lifts thru 30 ft (1/4 - 1 Ton capacities), thru 15 ft lift (2 Ton capacity) and thru 10 ft lift (3 Ton capacity)

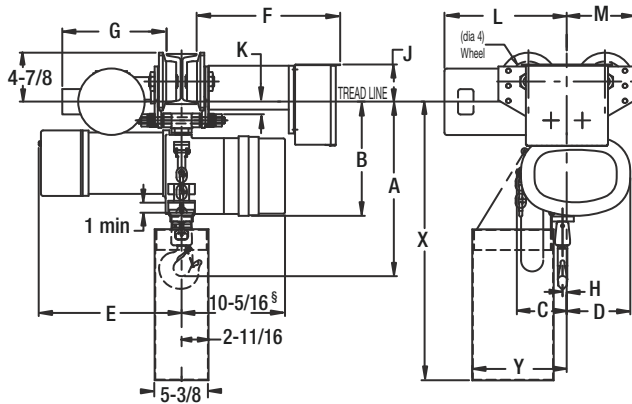
# Lug Hoists with Motor Driven Trolley

## One & Two Speed Hoists

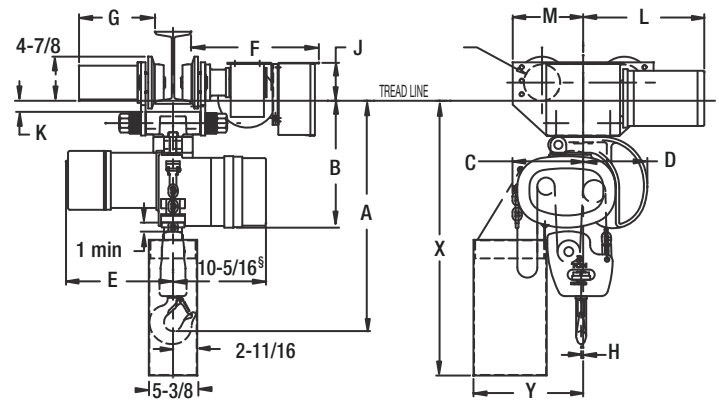


- Single speed standard. Optional 2-speed or variable frequency control available for precision load spotting for both hoist and trolley motions.
- Heavy duty AC spring set hoist motor brake with easy 1-step adjustment procedure.
- Trolley worm gear design provides smooth stopping performance.
- Hoist gearing totally enclosed in oil-bath lubrication for long life.
- Weatherproof NEMA-4X enclosed push-button control.
- Paddle Type upper & lower hoist travel limit switch.
- Manguard hoist overload protection prevents lifting excessive loads.
- All hoists and trolleys are built in compliance to ASME/ANSI B30.16 & CSA standards, NEC electrical codes and are ISO 9001 certified.

### 1/4, 1/2, 1 & 2 Ton Trolley



### 3 Ton Trolley



§ This dimension becomes 11-5/16" for 2-speed and 2-1/2 Hp models only

## Specifications & Dimensions

Capacity	Hoist Catalog Number	Lift Speed	Motor	Parts of Chain	Net Weight	A	B	C	D	E** Max.	F Max.	G Max.	J	K	L Max.	M Max.	X***	Y	H
tons		FPM	H.P.		lbs.	in	in	in	in	in	in	in	in	in	in	in	in	in	in
1/4	BEHC2516	16	1/4*	1	162	17-1/16	10-3/16	5	6-5/16	14-1/4	14-3/8	10-3/8	3-3/4	1-3/16	12-1/4	6-13/16	27-7/8	9-1/2	7/16
	BEHC2532	32	1/2		165														
	BEHC2564	64	1		164														
1/2	BEHC5016	16	1/2	1	165	17-1/16	10-3/16	5	6-5/16	14-1/4	14-3/8	10-3/8	3-3/4	1-3/16	12-1/4	6-13/16	27-7/8	9-1/2	7/16
	BEHC5032	32	1		166														
	BEHC0108	8	1/2		173														
1	BEHC0116	16	1	1	174	17-7/16	10-3/16	5	6-5/16	14-1/4	14-5/16	10-3/8	3-11/16	1-3/16	12-1/4	6-13/16	27-7/8	9-1/2	7/16
	BEHC0132	32	2-1/2		182														
	BEHC0204	4	1/2		207														
2	BEHC0208	8	1	2	209	22-1/4	11-1/8	6-3/8	7-1/16	14-1/4	14-1/2	10-1/2	4-3/8	1-1/4	12-1/4	7-9/16	28-3/4	10-3/4	3/16
	BEHC0216	16	2-1/2		210														
	BEHC0305	5	1		296														
3	BEHC0310	10	2-1/2	3	304	25-9/16	12-7/8	7-7/8	7-1/8	14-1/4	14-1/4	8-1/2	4-3/16	1-1/4	13-1/2	7-13/16	30-1/2	12-1/4	7/32

\* Two speed hoist has a 1/2 H.P. motor

\*\* Maximum length between one & two speed model hoists. Consult factory for exact dimensions.

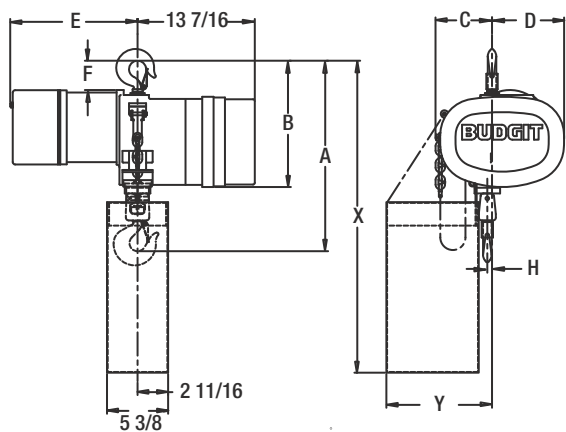
\*\*\* Dimensions based on lifts thru 30 ft (1/4 - 1 Ton capacities), thru 15 ft lift (2 Ton capacity) and thru 10 ft lift (3 Ton capacity)

# VFD Hoist

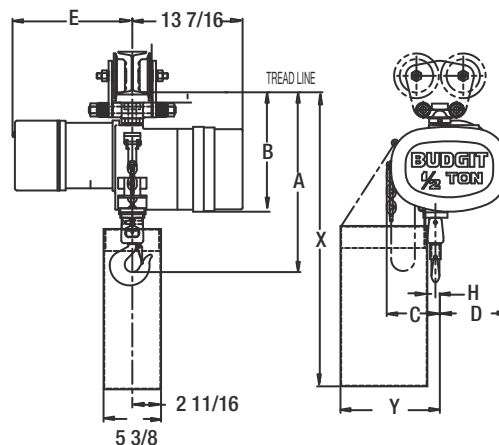


- Variable speed control with single speed motor
- Minimizes high-starting current on motor which helps keep it cool extending life of motor and also permits increase in motor run-time and starts/stops over standard contactor control.
- Electronic reversing, multispeed operation (up to 3 steps) eliminates conventional magnetic contactors which are wearable components
- Voltages available are 380-460/3/60, 208-230/3/60 and 208-230/1/60
- 10:1 speed ratio permits precise positioning for load spotting
- H4 duty rating
- 2-step infinitely variable push-button control standard. 3-step also available
- Thermal overload protection
- Fault recorder helps troubleshoot various problems such as power related issues.
- 3 programmable outputs

## Hook Mount



## Lug Mount

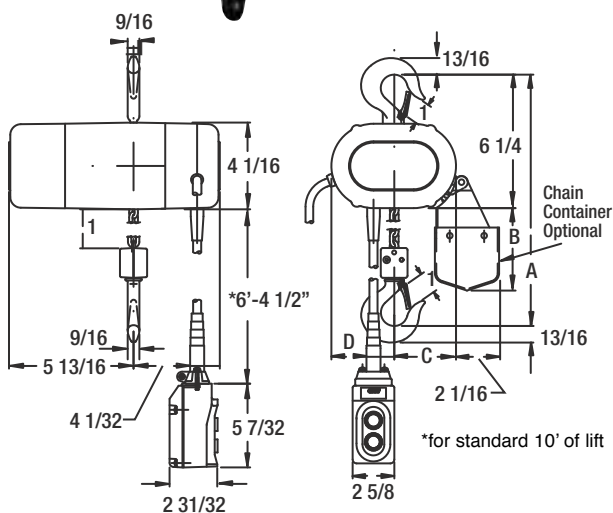


## Specifications & Dimensions

Capacity	Hoist Catalog #	Lift Speed	Motor	Parts of Chain	Net Weight	A		B		C	D	E* Max.	F	G	X**		Y
						Hook	Lug	Hook	Lug						Hook	Lug	
tons		FPM	H.P.		lbs	in	in	in	in	in	in	in	in	in	in	in	
1/4	BEHC2516V	16	1/4	1	77	16-3/4	16-13/16	11-1/8	11-3/16	5	6-5/16	14-1/4	2-9/16	15/16	27-1/2	27-5/8	9-1/2
	BEHC2532V	32	1/2		80												
	BEHC2564V	64	1		77												
1/2	BEHC5016V	16	1/2	1	80	16-3/4	16-13/16	11-1/8	11-3/16	5	6-5/16	14-1/4	2-9/16	15/16	27-1/2	27-5/8	9-1/2
	BEHC5032V	32	1		81												
	BEHC0108V	8	1/2		88												
1	BEHC0116V	16	1	1	89	17-1/2	17-3/8	11-7/16	11-3/8	5-1/8	6-5/16	14-1/4	2-15/16	1-1/8	27-7/8	27-3/4	9-1/2
	BEHC0132V	32	2-1/2		95												
	BEHC0204V	4	1/2		110												
2	BEHC0208V	8	1	2	111	23	22-1/16	13-1/8	12-3/16	6-3/8	5-1/16	14-1/4	4-9/16	1-1/16	33-1/2	32-5/8	10-3/4
	BEHC0216V	16	2-1/2		112												
	BEHC0305V	5	1		136												
3	BEHC0305V	5	1	3	136	25-7/8	26-5/16	14-3/8	14-7/8	7-7/8	7-1/8	14-1/4	5-7/8	2	38-7/8	39-1/4	12-1/4
	BEHC0310V	10	2-1/2		146												

\* Maximum length for 3 phase model hoists. Consult factory for exact dimensions.

\*\* Dimensions based on lifts thru 30 ft (1/4 - 1 Ton capacities), thru 15 ft lift (2 Ton capacity) and thru 10 ft lift (3 Ton capacity)



- Easy installation and maintenance
- Standard protector overload device
- 10-pocket, oblique lay liftwheel for smooth chain operation, constant chain speed and reduced chain wear
- NEMA 4, industrial-rated control station
- Gear train lifetime lubricated with non-oxidizing grease
- Alloy load chain for smooth operation and maximum chain life
- Thermally-protected hoist duty motor
- Dual brake system - D.C. plus regenerative
- Rugged cast aluminum alloy hoist frame
- Small, compact design for commercial applications
- Totally enclosed, non-ventilated hoist frame protects the motor from environmental contamination
- Optional impact-resistant chain container is available
- Rigid latch style upper hook prevents tangling of power cord
- Precision bearings used throughout the hoist
- Hardened forged steel latch-style lower hook rotates 360°
- True vertical lift
- Lifetime Warranty

## Specifications & Dimensions

Capacity	Lift Speed	Motor	Reeving	Hoist Catalog Number				Lift	A	B	C	D	Shipping Weight
				*115-1-60	115-1-60	230-3-60	460-3-60						
lbs.	FPM	H.P.					ft.	in	in	in	in	lbs.	
250	16	1/16	single	931770	-	-	-	10	11-1/16	3-7/8	2-15/16	3	26
	16		single	-	931769	931771	931772						28
	24		single	-	-	931774	931775						28
	40		single	-	-	931777	931778						28
300	16	1/16	single	931781	-	-	-	10	11-1/16	3-7/8	2-15/16	3	26
	16		single	-	931780	931783	931784						28
	24		single	-	-	931786	931787						28
	40		single	-	-	931806	931807						28
500	8	1/16	double	931843	-	-	-	10	12-1/8	5-3/4	2-3/8	3-9/16	32
	8		double	-	931842	931844	931845						34
	12		single	931838	-	-	-						26
	12		single	-	931837	931839	931840						28
	20		double	-	-	931847	931848						34
	24		single	-	-	931862	931863						28
600	8	1/16	double	931791	-	-	-	10	12-1/8	5-3/4	2-3/8	3-9/16	34
	8		double	-	931790	931793	931794						34
	12		double	-	-	931796	931797						34
	20		double	-	-	931880	931881						34
1000	6	1/16	double	931866	-	-	-	10	12-1/8	5-3/4	2-3/8	3-9/16	34
	6		double	-	931865	931867	931868						34
	8		double	-	-	931870	931871						32
	12		double	-	-	931873	931874						32

\* Contractor in PB station