

# OPERATING INSTRUCTIONS AND PARTS LIST BRIDGE DRIVE GEAR CASE

## GENERAL

Units are intended to be used within 30 days after receipt. If they are to be stored for a longer period of time, contact the factory for storage precautions.

## START-UP

Check the motor nameplate to verify that the phase, hertz and voltage agree with the available power supply. Connect to the power supply according to the furnished wiring diagram. Figure 2 shows motor coupling location. Assure that the motor vent faces downward.

## ▲WARNING

**WORKING IN OR NEAR EXPOSED ENERGIZED ELECTRIC EQUIPMENT PRESENTS THE DANGER OF ELECTRIC SHOCK.**

### TO AVOID INJURY:

- **Be certain that electrical power supply is off and locked in the open position before attempting any electrical connections. Lockout/tagout must be accomplished per ANSI Z244.1.**
- **Be certain that this equipment is properly grounded per the National Electrical Code ANSI/NFPA 70. Follow all national, state and local electrical codes when providing electrical service.**

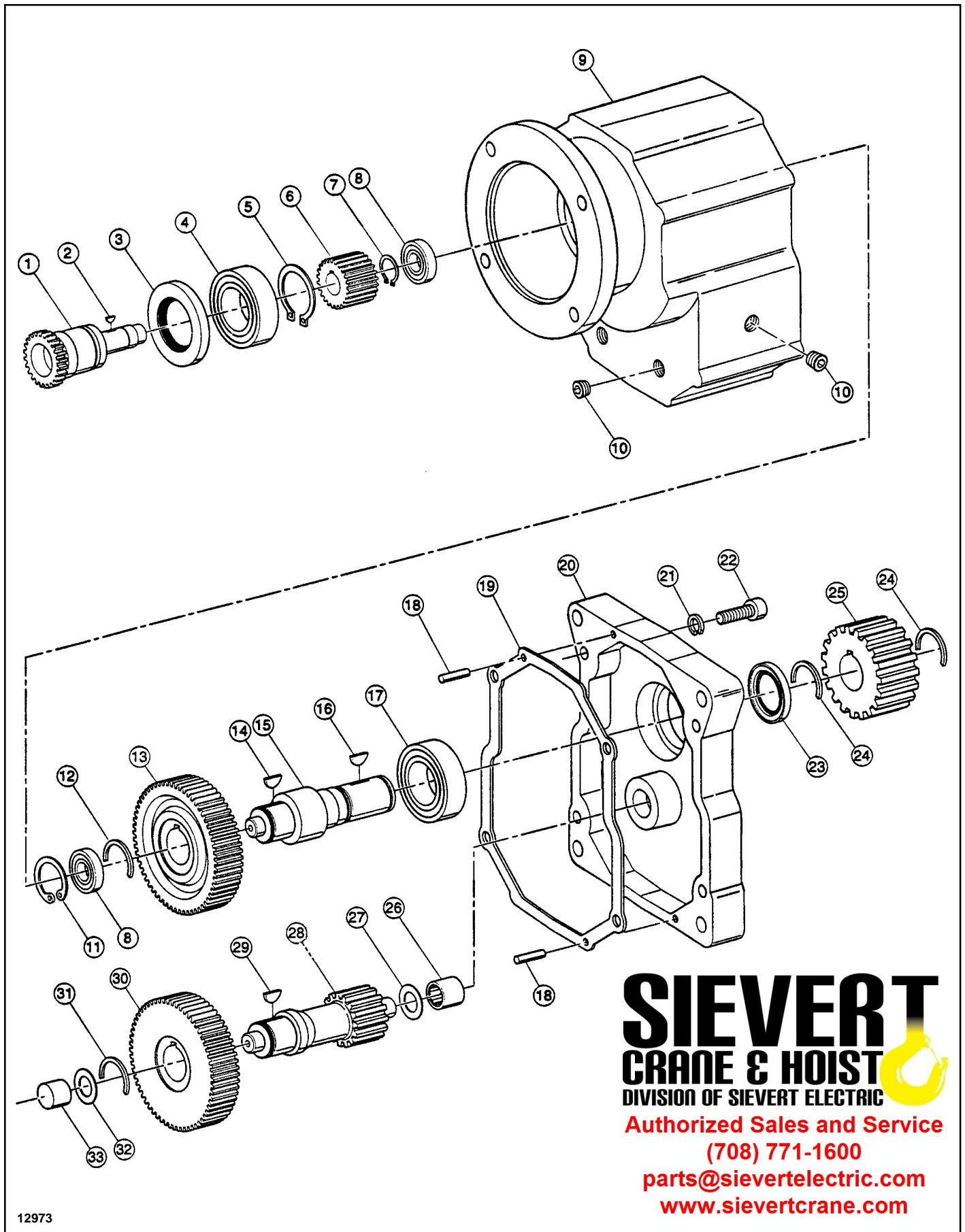
Before putting unit into operation, substitute vent plug for solid pipe plug at the highest position. Failure to do so can cause pressure in the housing, forcing out oil and damaging the seals, which will void the warranty.

## MAINTENANCE

Reducers using mineral base oils should have the oil changed every 2000 hours or every year. Synthetic lubricants should be changed every 10,000 hours or 2 years. For adverse operating conditions these intervals should be shorter. **DO NOT MIX SYNTHETIC AND MINERAL BASE OILS.** The units should be checked periodically for increased noise, surface temperature, vibration, shaft movement and amperage draw.

The gear case takes one quart of oil and is filled with MOBILGEAR 634. The following lubricants, or their equivalents, are recommended.

Type of Lubricant	Temperature Range	AGMA	Mobil
Mineral Base	50 to 125°F	7EP	Mobilgear 634
Mineral Base	15 to 60°F	5EP	Mobilgear 630
Synthetic	-20 to 140°F	--	SHC 634



**SIEVERT**  
**CRANE & HOIST**  
 DIVISION OF SIEVERT ELECTRIC

Authorized Sales and Service  
 (708) 771-1600  
[parts@sievertelectric.com](mailto:parts@sievertelectric.com)  
[www.sievertcrane.com](http://www.sievertcrane.com)

12973

Figure 1. Gear Case Assembly.

Figure 1. Gear Case Assembly (Continued).

Reference Number	Part Number	Quantity Required	Description
1	TGC-147	1	Input Shaft Sub-Assembly - Includes Ref. Nos. 1 thru 8 13.04:1 Ratio
	TGC-148		
	TGC-149		
	TGC-150		
2	TGC-105	1	Input Pinion Shaft 14 Teeth (13.04:1)
	TGC-106		
	TGC-107		
3	TGC-108	1	No Teeth - Used with Ref. Nos. 2, 6 and 7
4	TGC-109	1	Woodruff Key - Used With Part Number TGC-107 Only
5	TGC-110	1	Input Seal
6	TGC-111	1	Ball Bearings
7	TGC-112	1	External Retaining Ring Input Pinion - Used With Part Number TGC-107 Only 23 Teeth (6.97:1)
	TGC-113		
	TGC-114		
8	TGC-115	2	15 Teeth (6.08:1)
9	TGC-116	1	External Retaining Ring - Used With Part Number TGC-107 Only
10	TGC-117	4	Ball Bearings (Only 1 in Input Shaft Sub-Assembly)
11	TGC-118	1	Gear Case
12	TGC-119	1	Hex Socket Plug - 1/4 - 18 NPTF
13	TGC-120	1	Internal Retaining Ring - Plated
14	TGC-121	1	Output Shaft Sub-Assembly - Includes Ref. Nos. 12 thru 15
15	TGC-122	1	Open Square Section External Retaining Ring
16	TGC-123	1	Output Gear - 37 Teeth
17	TGC-124	1	Woodruff Key
18	TGC-125	2	Output Shaft
19	TGC-126	1	Woodruff Key
20	TGC-127	1	Ball Bearing
21	TGC-128	4	Dowel Pins
22	TGC-129	4	Gear Case Gasket
23	TGC-130	1	Gear Case Cover
24	TGC-131	1	Hi-Collar Spring Lock Washer - Plated - 3/8
25	TGC-132	1	Socket Head Cap Screw - Plated - 3/8-16 x 1-1/2
26	TGC-133	1	Output Seal
27	TGC-153	1	Open Square Section External Retaining Rings
28	TGC-138		
29	TGC-140		
30	TGC-141		
31	TGC-142	1	Output Pinion - 19 Teeth
	TGC-143		
	TGC-144		
	TGC-145		
32	TGC-146	1	Needle Bearing
33	TGC-147	1	Thrust Washer
34	TGC-148	1	Intermediate Shaft Sub-Assembly - Includes Ref. No. 28 thru 31 13.04:1 Ratio
35	TGC-149	1	8.96:1 Ratio
36	TGC-150	1	6.97:1 Ratio
37	TGC-151	1	6.08:1 Ratio
	TGC-152	1	Intermediate Pinion Shaft - 15 Teeth
	TGC-153	1	Woodruff Key
	TGC-154	1	Intermediate Gear
	TGC-155	1	74 Teeth (13.04:1)
	TGC-156	1	69 Teeth (8.96:1)
	TGC-157	1	65 Teeth (6.97:1)
	TGC-158	1	37 Teeth (6.08:1)
	TGC-159	1	Open Square Section External Retaining Ring
	TGC-160	1	Thrust Washer
	TGC-161	1	Needle Bearing
	TGC-162	1	Vent Plug (Not Shown)
	TGC-163	1	Wheel Grease (Not Shown)
	TGC-164	1	Truck Mounting Hardware (Not Shown)
	TGC-165	1	Motor Mounting Hardware - Includes Coupling (Not Shown)
	TGC-166	1	For Motor with 56C Frame
	TGC-167	1	For Motor with 145TC Frame
	TGC-168	1	For Motor with 180C Frame

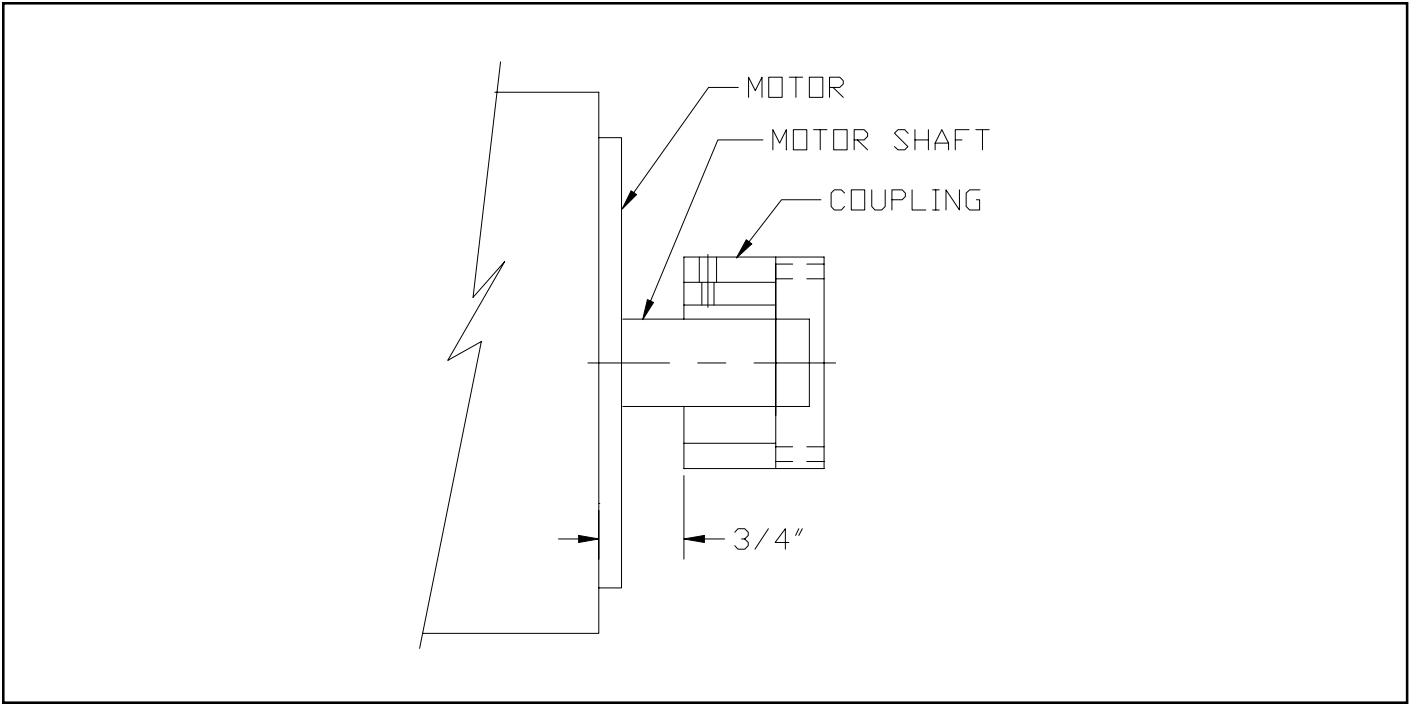


Figure 2. Coupling Location.

# WARRANTY

**WARRANTY AND LIMITATION OF REMEDY AND LIABILITY**

A. Seller warrants that its products and parts, when shipped, and its work (including installation, construction and start-up), when performed, will meet applicable specifications, will be of good quality and will be free from defects in material and workmanship. All claims for defective products or parts under this warranty must be made in writing immediately upon discovery and, in any event, within one (1) year from shipment of the applicable item unless Seller specifically assumes installation, construction or start-up responsibility. All claims for defective products or parts when Seller specifically assumes installation, construction or start-up responsibility, and all claims for defective work must be made in writing immediately upon discovery and, in any event, within one (1) year from completion of the applicable work by Seller, provided, however, all claims for defective products and parts made in writing no later than eighteen (18) months after shipment. Defective items must be held for Seller's inspection and returned to the original f.o.b. point upon request. THE FOREGOING IS EXPRESSLY IN LIEU OF ALL OTHER WARRANTIES WHATSOEVER, EXPRESS, IMPLIED AND STATUTORY, INCLUDING, WITHOUT LIMITATION, THE IMPLIED WARRANTIES OF MERCHANTABILITY AND FITNESS.

B. Upon Buyer's submission of a claim as provided above and its substantiation, Seller shall at its option either (i) repair or replace its product, part or work at either the original f.o.b. point of delivery or at Seller's authorized service station nearest Buyer or (ii) refund an equitable portion of the purchase price.

C. This warranty is contingent upon Buyer's proper maintenance and care of Seller's products, and does not extend to normal wear and tear. Seller reserves the right to void warranty in event of Buyer's use of inappropriate materials in the course of repair or maintenance, or if Seller's products have been dismantled prior to submission to Seller for warranty inspection.

D. The foregoing is Seller's only obligation and Buyer's exclusive remedy for breach of warranty, and is Buyer's exclusive remedy hereunder by way of breach of contract, tort, strict liability or otherwise. In no event shall Buyer be entitled to or Seller liable for incidental or consequential damages. Any action for breach of this agreement must be commenced within one (1) year after the cause of action has accrued.